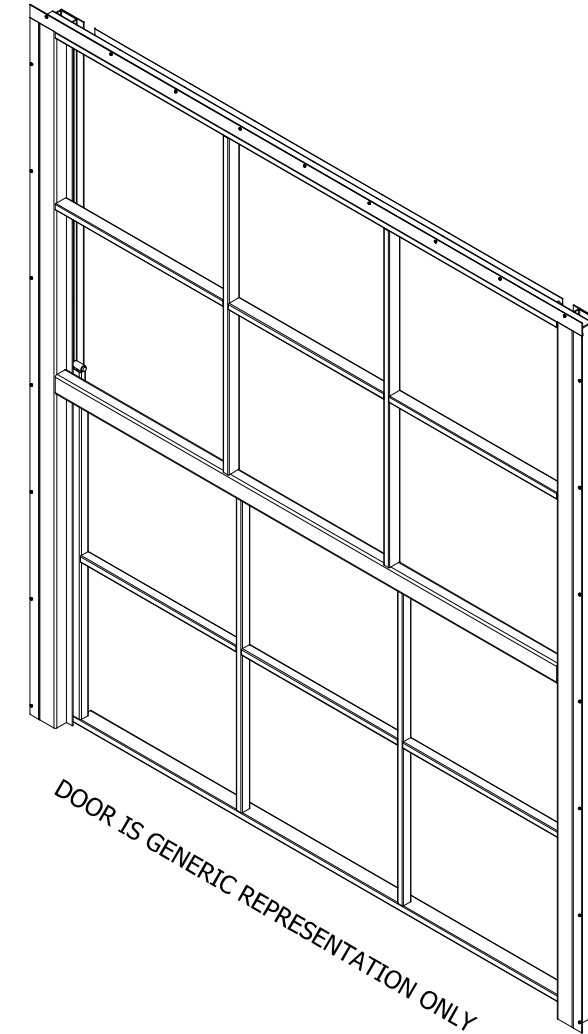


135 MCLEOD AVENUE, SOUTH
PLATO, MN 55370
(320) 238-2616
INFO@CROWNDOORS.COM

VERTICAL LIFT HYDRAULIC SYSTEM

**PRELIMINARY
NOT FOR CONSTRUCTION**



DOOR IS GENERIC REPRESENTATION ONLY

PROPRIETARY AND CONFIDENTIAL

THE INFORMATION CONTAINED WITHIN THIS DRAWING SET IS THE SOLE PROPERTY OF CROWN DOORS, LLC (CROWN). ANY REPRODUCTION - IN PART, OR AS A WHOLE - WITHOUT THE EXPRESSED, WRITTEN CONSENT OF CROWN DOORS, LLC IS PROHIBITED

IMPORTANT NOTICE:

ALL DIMENSIONS SHOWN ARE CRITICAL TO PROPER DOOR OPERATION. IF ANY CHANGES ARE MADE, CONTACT CROWN IMMEDIATELY. ANY CHANGES MAY INCUR ADDITIONAL CHARGES.

ALL PARTS NOT LISTED AS "BY OTHERS" TO BE PROVIDED BY CROWN.

SAMPLE DRAWINGS

- THE FOLLOWING DETAILS REPRESENT TYPICAL CONDITIONS. DETAILS/DIMENSIONS WILL VARY BETWEEN INSTALLATIONS.
- SAMPLe DRAWINGS DO NOT REPRESENT ALL AVAILABLE OPTIONS - REFER TO QUOTATION.

GENERAL NOTES

- STRUCTURAL SUPPORT (JAMBS/HEADER) BY G.C. INSTALLER TO CAULK AROUND MOUNTING ANGLES
- MAXIMUM ALLOWABLE RISE OF FINISHED FLOOR IS 3/8"
- CROWN RESERVES THE RIGHT TO CHANGE/IMPROVE PRODUCTS WITHOUT PRIOR NOTICE
- THE INFORMATION CONTAINED WITHIN THIS DRAWING SET IS THE SOLE PROPERTY OF CROWN. ANY REPRODUCTION - IN PART, OR AS A WHOLE - WITHOUT THE EXPRESSED, WRITTEN PERMISSION OF CROWN IS PROHIBITED
- CROWN WILL NOT BE HELD RESPONSIBLE FOR CODE VIOLATIONS

LATERAL DRIFT AND VERTICAL DEFLECTION:

TO MAINTAIN NORMAL OPERATION OF THE DOOR/WINDOW SYSTEM, MID-HEADER DOWNWARD DEFLECTION LIMIT AND LATERAL DRIFT LIMIT OF SURROUNDING STRUCTURE IS 3/8". MAXIMUM ALLOWABLE RISE OF FINISHED FLOOR BETWEEN JAMBS IS 3/8".

STEEL MEMBERS:

STEEL TUBE FRAME MEMBERS VARY IN SIZE, DEPENDING UPON ROUGH OPENING DIMENSIONS AND COVERING/CLADDING WEIGHT. LARGER OPENINGS AND HEAVIER COVERING OR CLADDING WILL REQUIRE LARGER STEEL COMPONENTS.

TOLERANCE: TOLERANCE FOR LOCATION OF VERTICAL AND HORIZONTAL STEEL TUBE MEMBERS IS 1/8"

IMPORTANT NOTE: DO NOT PRE-DRILL ROUGH OPENING

PROPRIETARY AND CONFIDENTIAL

THE INFORMATION CONTAINED WITHIN THIS DRAWING SET IS THE SOLE PROPERTY OF CROWN DOORS, LLC (CROWN). ANY REPRODUCTION - IN PART, OR AS A WHOLE - WITHOUT THE EXPRESSED, WRITTEN CONSENT OF CROWN DOORS, LLC IS PROHIBITED

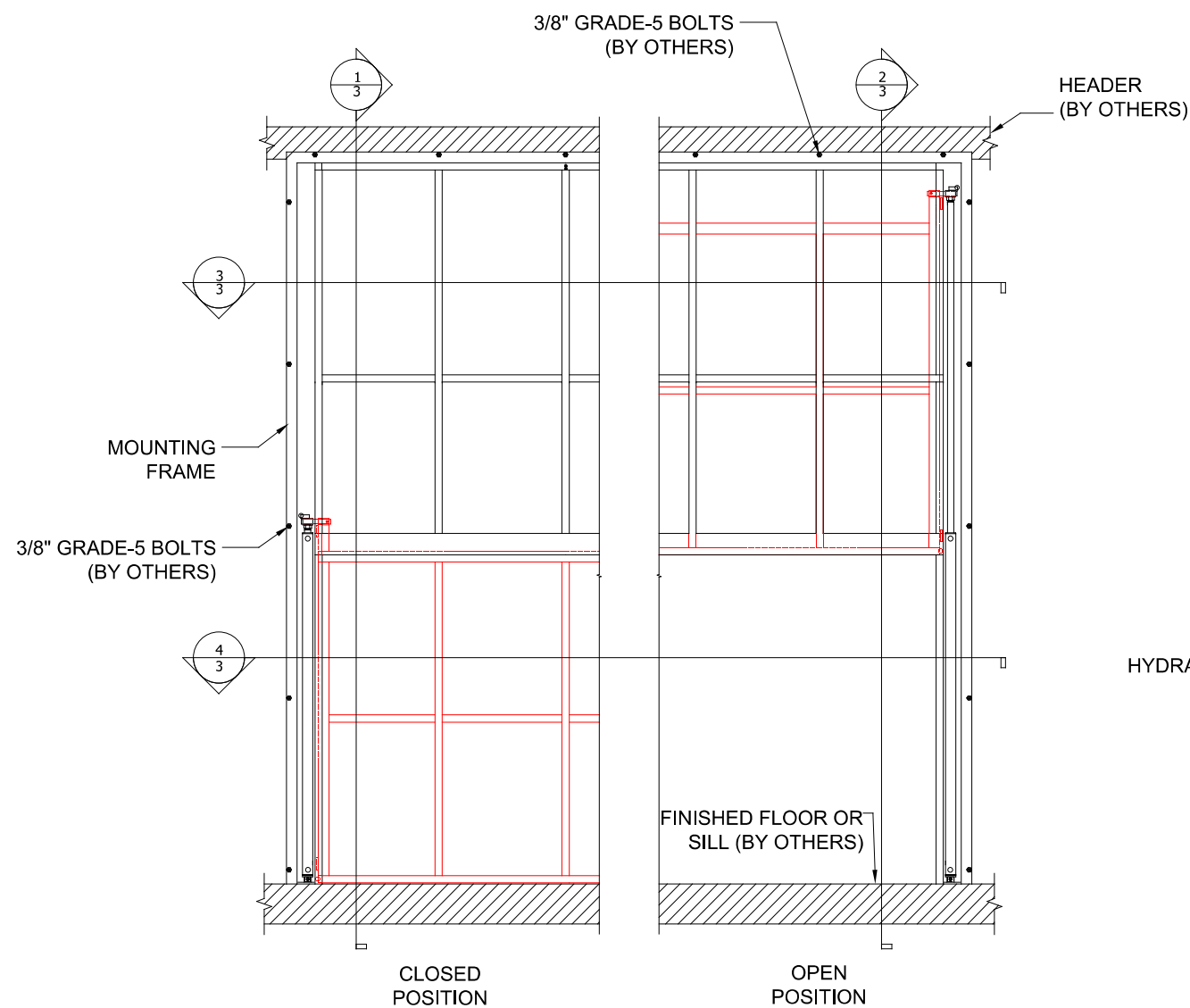
IMPORTANT NOTICE:

ALL DIMENSIONS SHOWN ARE CRITICAL TO PROPER DOOR OPERATION. IF ANY CHANGES ARE MADE, CONTACT CROWN IMMEDIATELY. ANY CHANGES MAY INCUR ADDITIONAL CHARGES.

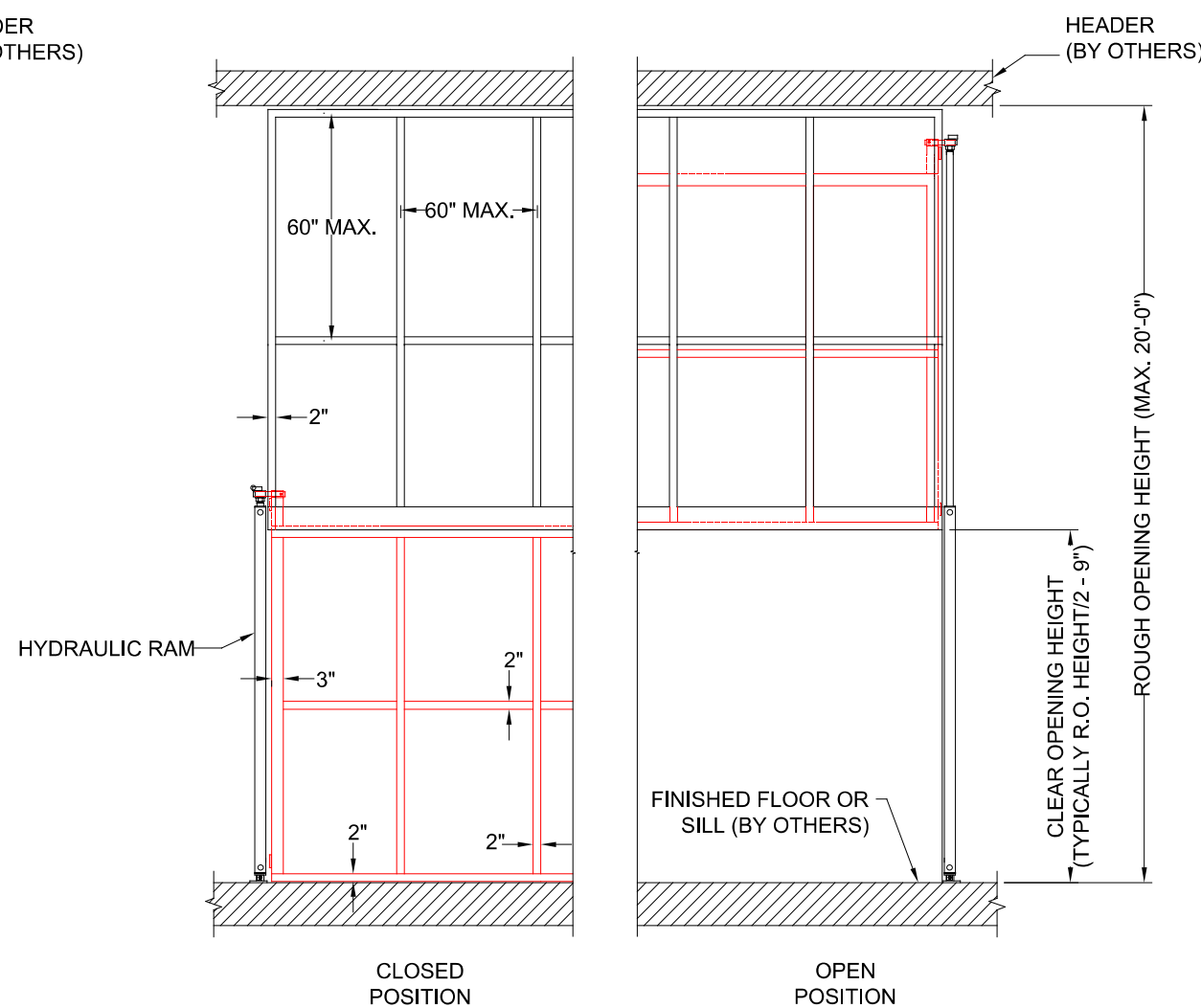
ALL PARTS NOT LISTED AS "BY OTHERS" TO BE PROVIDED BY CROWN.



SAMPLE DRAWING



1 DOOR PANEL w/FRAME - EXTERIOR VIEW
NO SCALE



2 DOOR PANEL - EXTERIOR VIEW
NO SCALE

IMPORTANT NOTICE:

MAXIMUM ALLOWABLE RISE OF FINISHED FLOOR BETWEEN JAMBS IS 3/8"

VERTICAL-LIFT HYDRAULIC SYSTEM
CROWN DOORS, LLC
PLATO, MINNESOTA, 55370

MODEL: VL
DRAWN: 5/2022

SHEET: **2.0**

LATERAL DRIFT AND VERTICAL DEFLECTION:

TO MAINTAIN NORMAL OPERATION OF THE DOOR/WINDOW SYSTEM, MID-HEADER DOWNWARD DEFLECTION LIMIT AND LATERAL DRIFT LIMIT OF SURROUNDING STRUCTURE IS 3/8". MAXIMUM ALLOWABLE RISE OF FINISHED FLOOR BETWEEN JAMBS IS 3/8".

TOLERANCE: TOLERANCE FOR LOCATION OF VERTICAL AND HORIZONTAL STEEL TUBE MEMBERS IS 1/8"

IMPORTANT NOTE: DO NOT PRE-DRILL ROUGH OPENING

NOTES:

APPROX. SYSTEM WEIGHT W/CYLINDERS:	9 LBS. P.S.F.
COVERING SYSTEM WEIGHT:	VARIES
APPROX. TOTAL DOOR PANEL WEIGHT w/COVERING:	TBD
STD. ELECTRICAL REQUIREMENTS:	220-240v, 1-PH
MOTOR:	TBD
POWER UNIT:	TBD
STD. WIND LOAD:	90 MPH EXP. C
APPROX. DOOR OPEN SPEED:	TYP. 14-15' PER MIN.
CYLINDER:	TBD
STD. FINISH:	GRAY ZINC, POWDER-BASED, EXPOXY PRIMER RAL POWDER FINISH COAT

PROPRIETARY AND CONFIDENTIAL

THE INFORMATION CONTAINED WITHIN THIS DRAWING SET IS THE SOLE PROPERTY OF CROWN DOORS, LLC (CROWN). ANY REPRODUCTION - IN PART, OR AS A WHOLE - WITHOUT THE EXPRESSED, WRITTEN CONSENT OF CROWN DOORS, LLC IS PROHIBITED

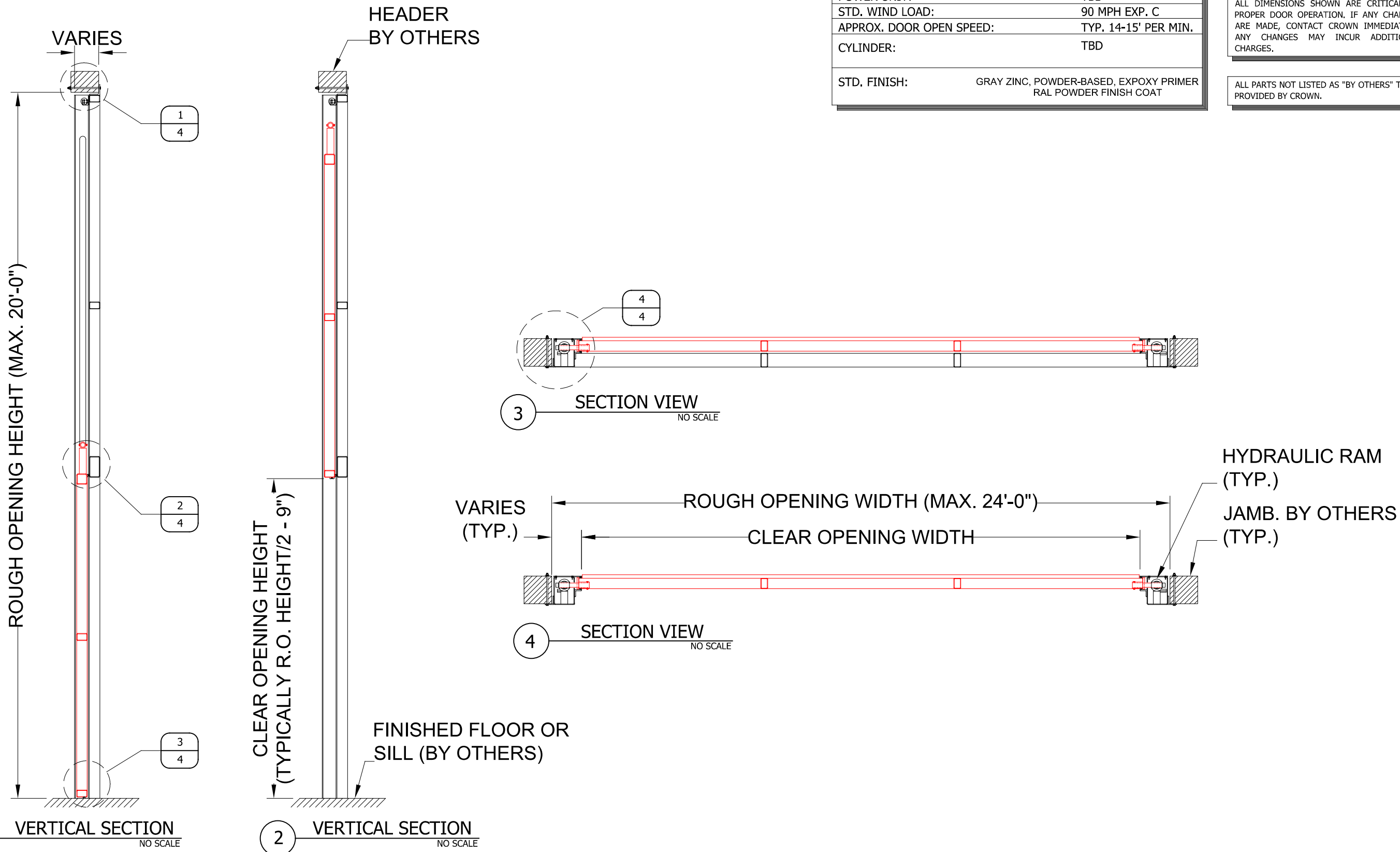
IMPORTANT NOTICE:

ALL DIMENSIONS SHOWN ARE CRITICAL TO PROPER DOOR OPERATION. IF ANY CHANGES ARE MADE, CONTACT CROWN IMMEDIATELY. ANY CHANGES MAY INCUR ADDITIONAL CHARGES.

ALL PARTS NOT LISTED AS "BY OTHERS" TO BE PROVIDED BY CROWN.



SAMPLE DRAWING



VERTICAL-LIFT HYDRAULIC SYSTEM
CROWN DOORS, LLC
 PLATO, MINNESOTA, 55370

MODEL: VL
 DRAWN: 5/2022

SHEET: **3.0**

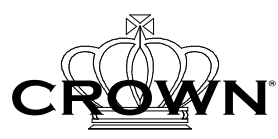
PROPRIETARY AND CONFIDENTIAL

THE INFORMATION CONTAINED WITHIN THIS DRAWING SET IS THE SOLE PROPERTY OF CROWN DOORS, LLC (CROWN). ANY REPRODUCTION - IN PART, OR AS A WHOLE - WITHOUT THE EXPRESSED, WRITTEN CONSENT OF CROWN DOORS, LLC IS PROHIBITED

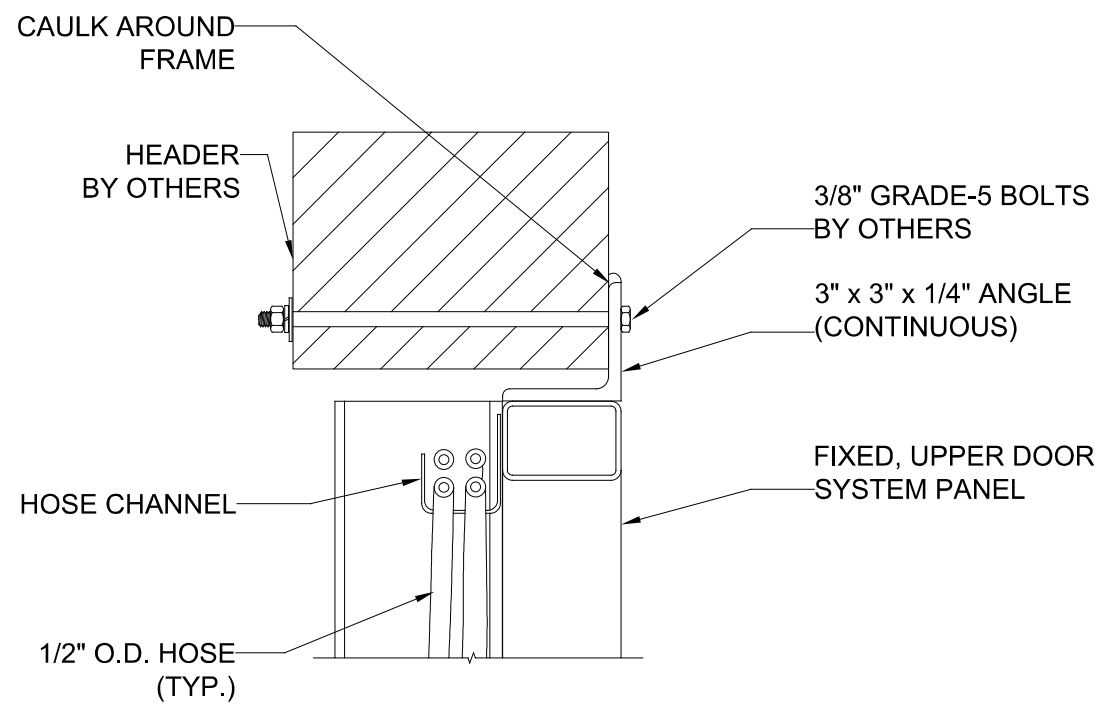
IMPORTANT NOTICE:

ALL DIMENSIONS SHOWN ARE CRITICAL TO PROPER DOOR OPERATION. IF ANY CHANGES ARE MADE, CONTACT CROWN IMMEDIATELY. ANY CHANGES MAY INCUR ADDITIONAL CHARGES.

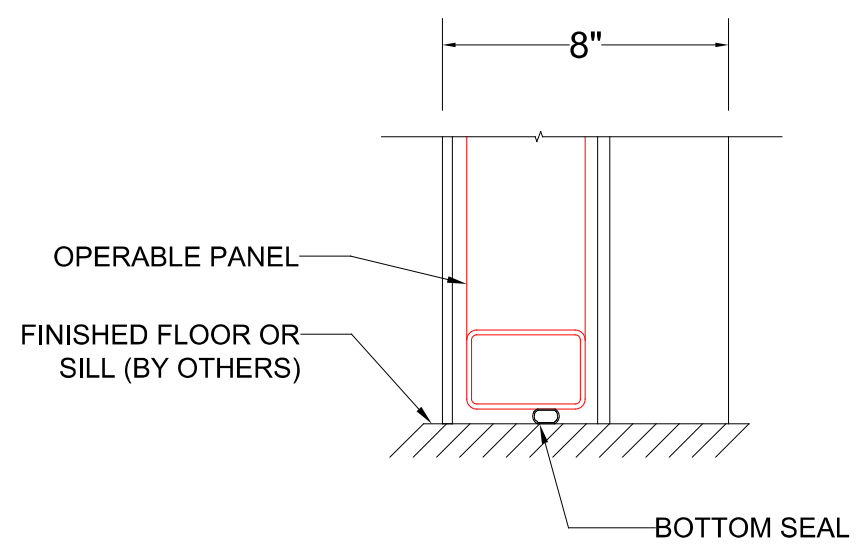
ALL PARTS NOT LISTED AS "BY OTHERS" TO BE PROVIDED BY CROWN.



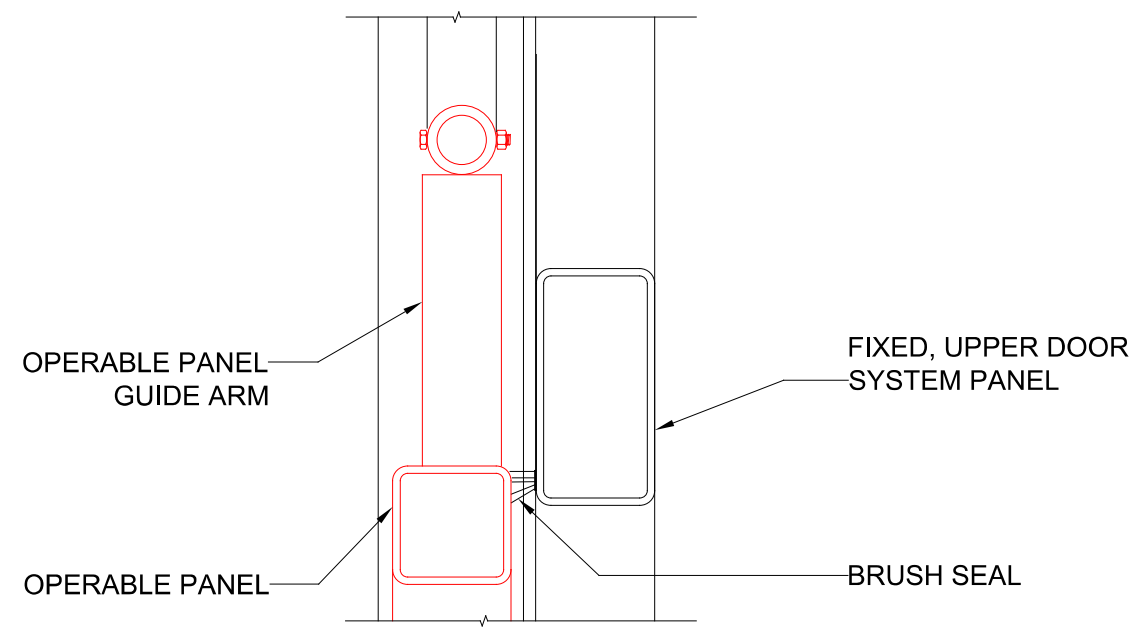
SAMPLE DRAWING



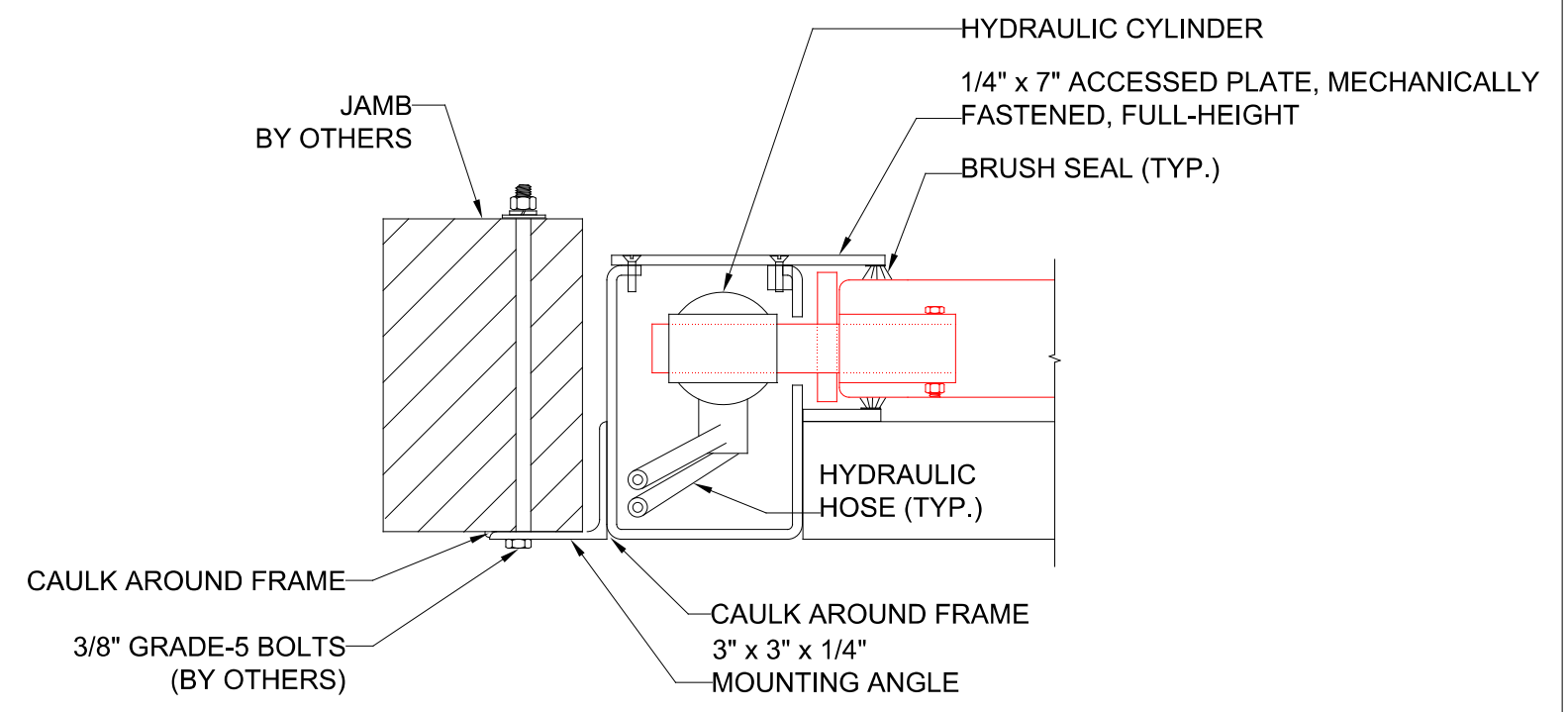
1 SECTION VIEW @ HEAD
NO SCALE



3 SECTION VIEW @ BASE
NO SCALE



2 SECTION VIEW @ INT. HORIZONTAL
NO SCALE



4 SECTION VIEW @ JAMB
NO SCALE

VERTICAL-LIFT HYDRAULIC SYSTEM
CROWN DOORS, LLC
PLATO, MINNESOTA, 55370

MODEL: VL
DRAWN: 5/2022

SHEET: **4.0**

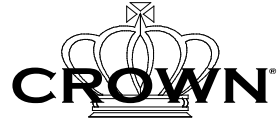
MOTOR OPTIONS

MOTOR UNIT IS FULLY ENCLOSED AND INCLUDES LOW-VOLTAGE CONTROL WIRING AND MANUAL LET-DOWN.

PROPRIETARY AND CONFIDENTIAL
 THE INFORMATION CONTAINED WITHIN THIS DRAWING SET IS THE SOLE PROPERTY OF CROWN DOORS, LLC (CROWN). ANY REPRODUCTION - IN PART, OR AS A WHOLE - WITHOUT THE EXPRESSED, WRITTEN CONSENT OF CROWN DOORS, LLC IS PROHIBITED

IMPORTANT NOTICE:
 ALL DIMENSIONS SHOWN ARE CRITICAL TO PROPER DOOR OPERATION. IF ANY CHANGES ARE MADE, CONTACT CROWN IMMEDIATELY. ANY CHANGES MAY INCUR ADDITIONAL CHARGES.

ALL PARTS NOT LISTED AS "BY OTHERS" TO BE PROVIDED BY CROWN.

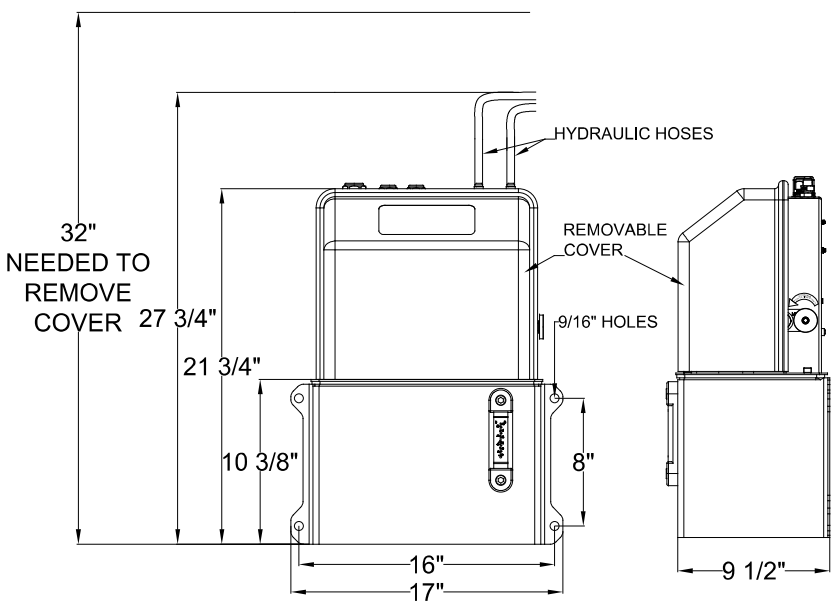


SAMPLE DRAWING

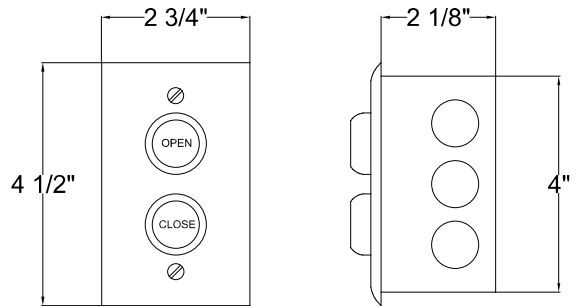
VERTICAL - LIFT HYDRAULIC SYSTEM
CROWN DOORS, LLC
 PLATO, MINNESOTA, 55370

MODEL: VL
 DRAWN: 5/2022

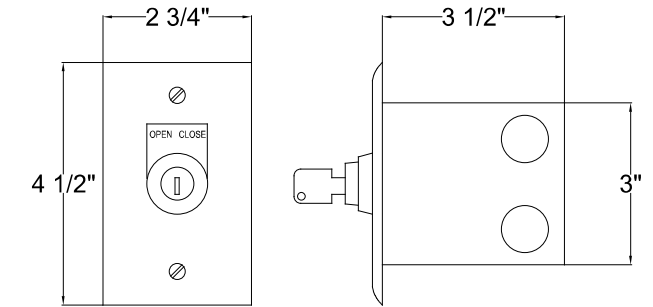
SHEET: **5.0**



1 MOTOR UNIT - ENCLOSED
 NO SCALE

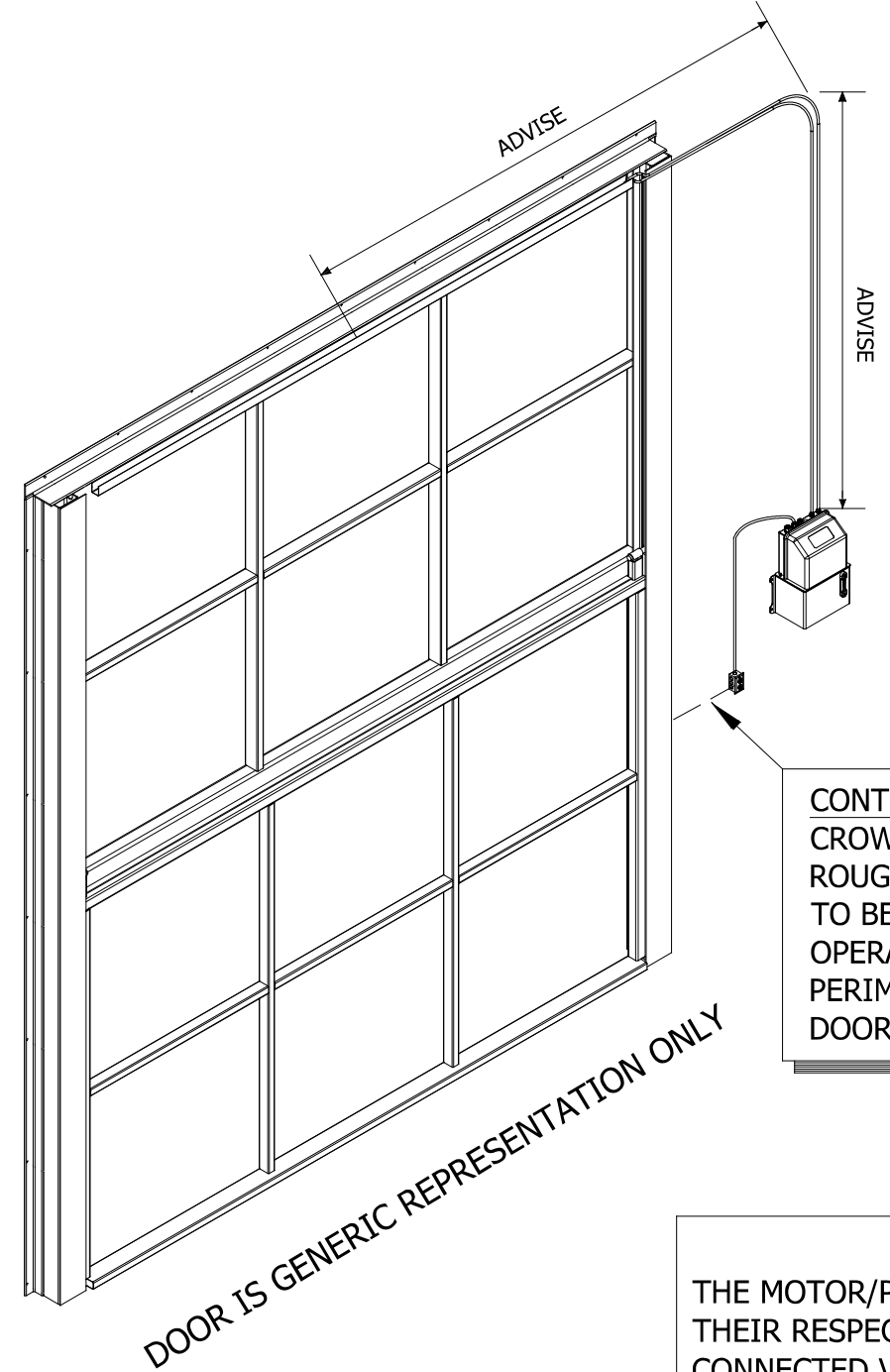


FLUSH-MOUNT, CONSTANT-CONTACT 2-BUTTON W/STAINLESS COVER (STANDARD)



FLUSH-MOUNT, CONSTANT-HOLD KEY SWITCH W/STAINLESS COVER (STANDARD)

2 CONTROL OPTIONS
 NO SCALE



3 ISOMETRIC-INTERIOR VIEW
 NO SCALE

CONTROL STATION PLACEMENT
 CROWN RECOMMENDS A MAX OF 24" FROM ROUGH OPENING. CONTROL STATION NEEDS TO BE PLACED SO THAT ANY PERSON OPERATING DOOR/WINDOW CAN SEE ENTIRE PERIMETER OF OPENING WHILE DOOR/WINDOW IS OPERATING.

DIMENSION REQUIRED:
 THE MOTOR/POWER UNIT(S) MAY BE LOCATED ANY DISTANCE FROM THEIR RESPECTIVE OPENINGS. EACH MOTOR AND OPENING WILL BE CONNECTED VIA (2) HYDRAULIC HOSES. PLEASE CONFIRM THE TOTAL LINEAL FOOT LENGTH OF HOSE REQUIRED TO REACH BETWEEN TOP/CENTER OF EACH OPENING AND ITS RESPECTIVE MOTOR MOUNT LOCATION, TAKING INTO ACCOUNT ANY TWISTS AND TURNS ALONG THE WAY. PLEASE NOTE A CHARGE FOR ADDITIONAL HOSE MAY APPLY.

DOOR IS GENERIC REPRESENTATION ONLY

IMPORTANT NOTE:

- ALL ALUMINUM RETAINER IS SHIPPED IN FULL-LENGTH PIECES, TO BE CUT TO SIZE AND/OR MITERED, IN FIELD
- DETAILS ARE FOR REPRESENTATION, ONLY, SHOWING CROWN STD. INSIDE-SASH RETAINER SYSTEM
- GLASS SHOWN IS MOST COMMON. OTHER GLASS TYPES/THICKNESSES ARE AVAILABLE

PROPRIETARY AND CONFIDENTIAL

THE INFORMATION CONTAINED WITHIN THIS DRAWING SET IS THE SOLE PROPERTY OF CROWN DOORS, LLC (CROWN). ANY REPRODUCTION - IN PART, OR AS A WHOLE - WITHOUT THE EXPRESSED, WRITTEN CONSENT OF CROWN DOORS, LLC IS PROHIBITED

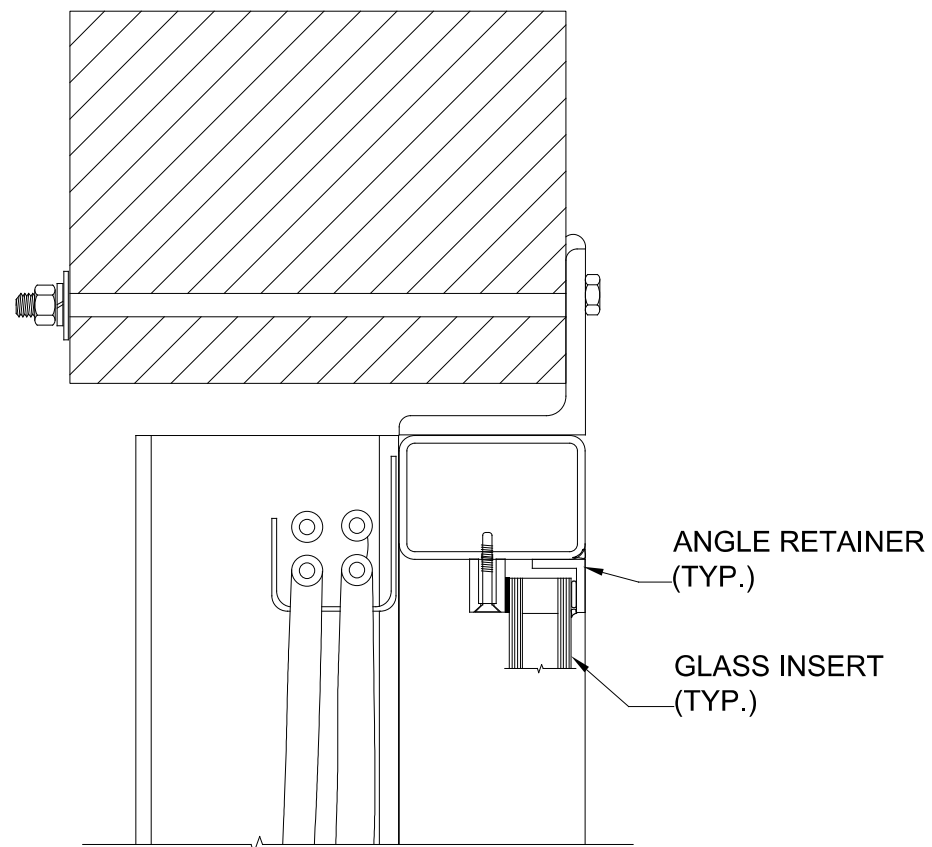
IMPORTANT NOTICE:

ALL DIMENSIONS SHOWN ARE CRITICAL TO PROPER DOOR OPERATION. IF ANY CHANGES ARE MADE, CONTACT CROWN IMMEDIATELY. ANY CHANGES MAY INCUR ADDITIONAL CHARGES.

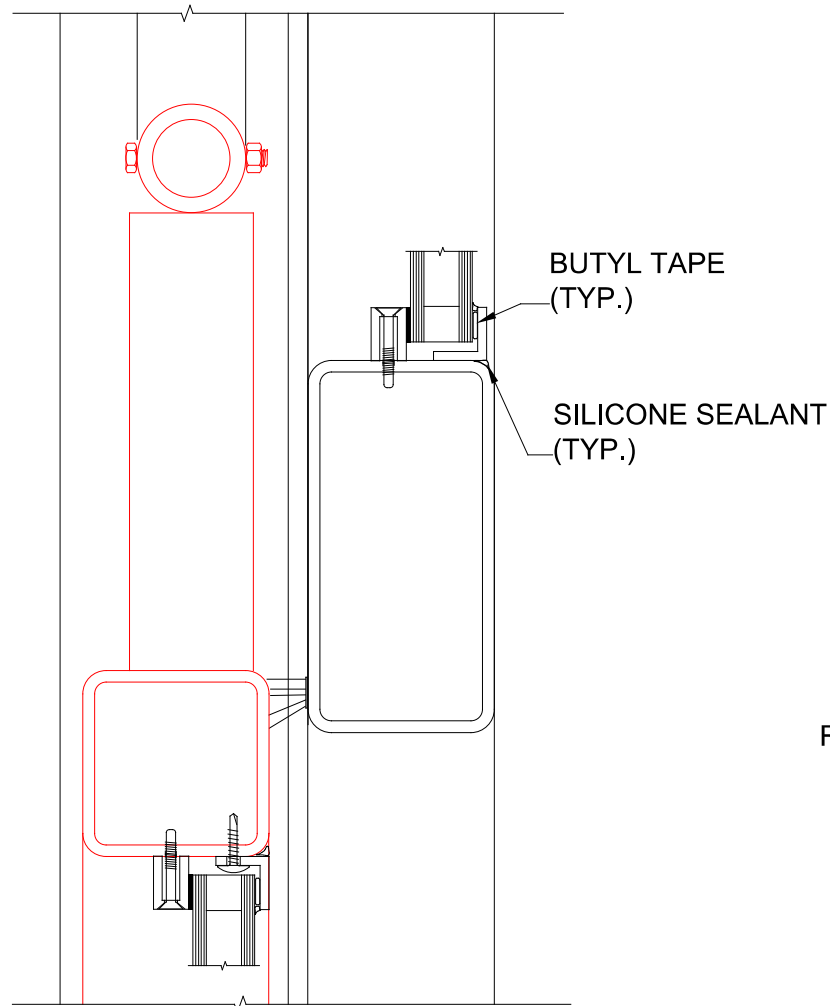
ALL PARTS NOT LISTED AS "BY OTHERS" TO BE PROVIDED BY CROWN.



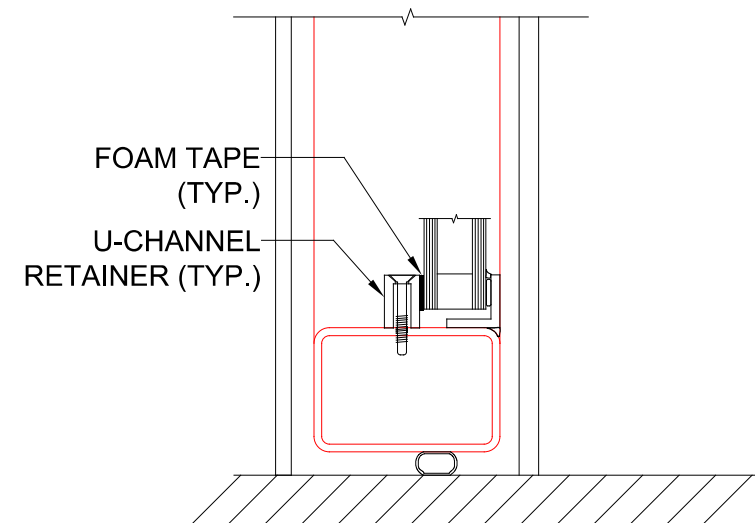
SAMPLE DRAWING



1 INSIDE-SASH ASSEMBLY
NO SCALE



2 INSIDE-SASH ASSEMBLY
NO SCALE



3 INSIDE-SASH ASSEMBLY
NO SCALE

VERTICAL-LIFT HYDRAULIC SYSTEM
CROWN DOORS, LLC
PLATO, MINNESOTA, 55370

MODEL: VL
DRAWN: 5/2022

SHEET: **6.0**