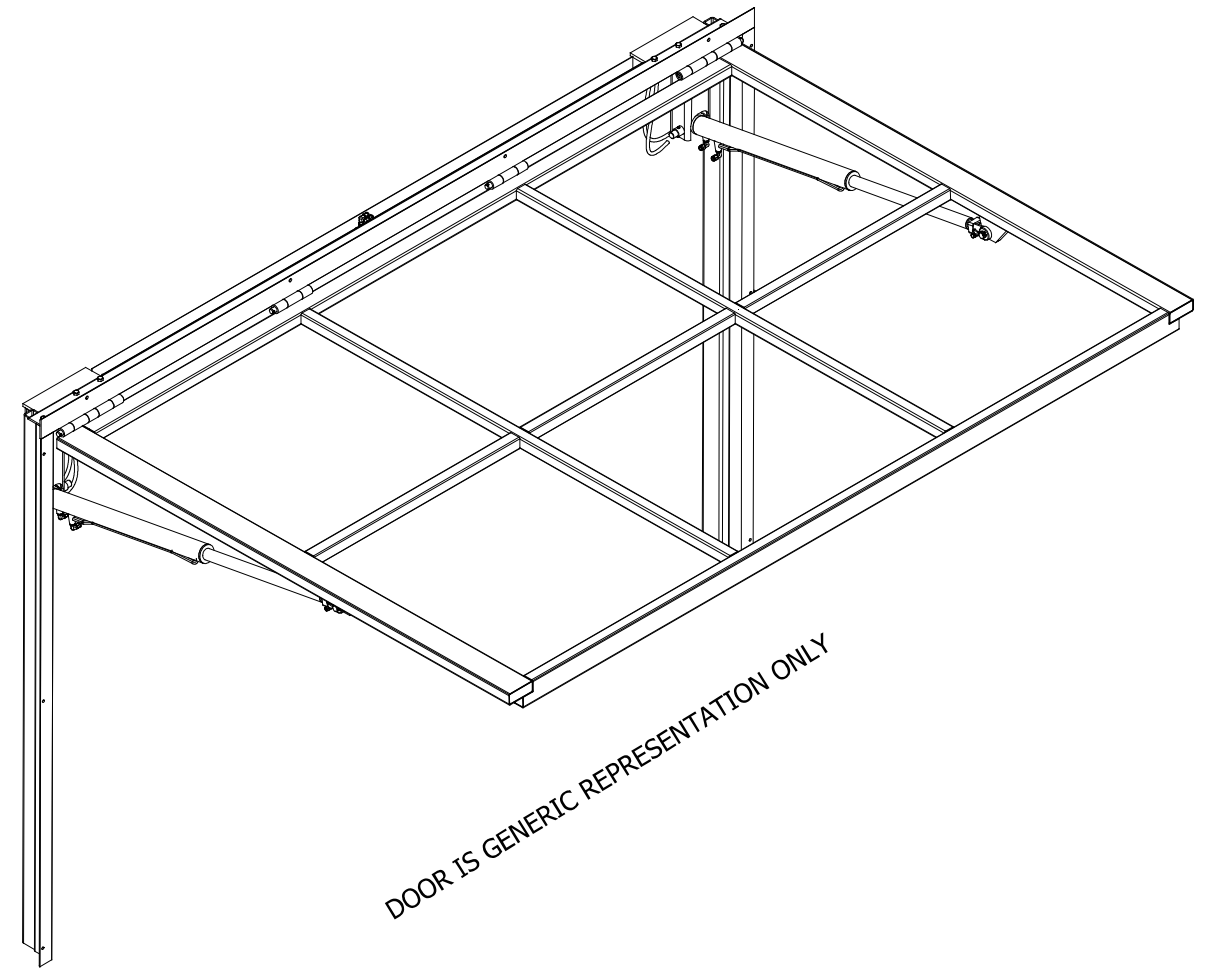


135 MCLEOD AVENUE, SOUTH  
 PLATO, MN 55370  
 (320) 238-2616  
 INFO@CROWNDOORS.COM

# SINGLE-SWING HYDRAULIC SYSTEM

**PRELIMINARY SAMPLE  
 DRAWING  
 NOT FOR CONSTRUCTION**



DOOR IS GENERIC REPRESENTATION ONLY

**PROPRIETARY AND CONFIDENTIAL**

THE INFORMATION CONTAINED WITHIN THIS DRAWING SET IS THE SOLE PROPERTY OF CROWN DOORS, LLC (CROWN). ANY REPRODUCTION - IN PART, OR AS A WHOLE - WITHOUT THE EXPRESSED, WRITTEN CONSENT OF CROWN DOORS, LLC IS PROHIBITED

**IMPORTANT NOTICE:**

ALL DIMENSIONS SHOWN ARE CRITICAL TO PROPER DOOR OPERATION. IF ANY CHANGES ARE MADE, CONTACT CROWN IMMEDIATELY. ANY CHANGES MAY INCUR ADDITIONAL CHARGES.

ALL PARTS NOT LISTED AS "BY OTHERS" TO BE PROVIDED BY CROWN.

**SAMPLE DRAWINGS**

- THE FOLLOWING DETAILS REPRESENT TYPICAL CONDITIONS. DETAILS/DIMENSIONS WILL VARY BETWEEN INSTALLATIONS.
- SAMPLe DRAWINGS DO NOT REPRESENT ALL AVAILABLE OPTIONS - REFER TO QUOTATION.

**GENERAL NOTES**

- STRUCTURAL SUPPORT (JAMBS/HEADER) BY G.C.
- INSTALLER TO CAULK AROUND MOUNTING ANGLES
- MAXIMUM ALLOWABLE RISE OF FINISHED FLOOR IS 3/8"
- CROWN RESERVES THE RIGHT TO CHANGE/IMPROVE PRODUCTS WITHOUT PRIOR NOTICE
- THE INFORMATION CONTAINED WITHIN THIS DRAWING SET IS THE SOLE PROPERTY OF CROWN. ANY REPRODUCTION - IN PART, OR AS A WHOLE - WITHOUT THE EXPRESSED, WRITTEN PERMISSION OF CROWN IS PROHIBITED
- CROWN WILL NOT BE HELD RESPONSIBLE FOR CODE VIOLATIONS

**LATERAL DRIFT AND VERTICAL DEFLECTION:**

TO MAINTAIN NORMAL OPERATION OF THE DOOR/WINDOW SYSTEM, MID-HEADER DOWNWARD DEFLECTION LIMIT AND LATERAL DRIFT LIMIT OF SURROUNDING STRUCTURE IS 3/8". MAXIMUM ALLOWABLE RISE OF FINISHED FLOOR BETWEEN JAMBS IS 3/8".

**STEEL MEMBERS:**

STEEL TUBE FRAME MEMBERS VARY IN SIZE, DEPENDING UPON ROUGH OPENING DIMENSIONS AND COVERING/CLADDING WEIGHT. LARGER OPENINGS AND HEAVIER COVERING OR CLADDING WILL REQUIRE LARGER STEEL COMPONENTS.

**TOLERANCE:** TOLERANCE FOR LOCATION OF VERTICAL AND HORIZONTAL STEEL TUBE MEMBERS IS 1/8"

**IMPORTANT NOTE:** DO NOT PRE-DRILL ROUGH OPENING

**PROPRIETARY AND CONFIDENTIAL**

THE INFORMATION CONTAINED WITHIN THIS DRAWING SET IS THE SOLE PROPERTY OF CROWN DOORS, LLC (CROWN). ANY REPRODUCTION - IN PART, OR AS A WHOLE - WITHOUT THE EXPRESSED, WRITTEN CONSENT OF CROWN DOORS, LLC IS PROHIBITED

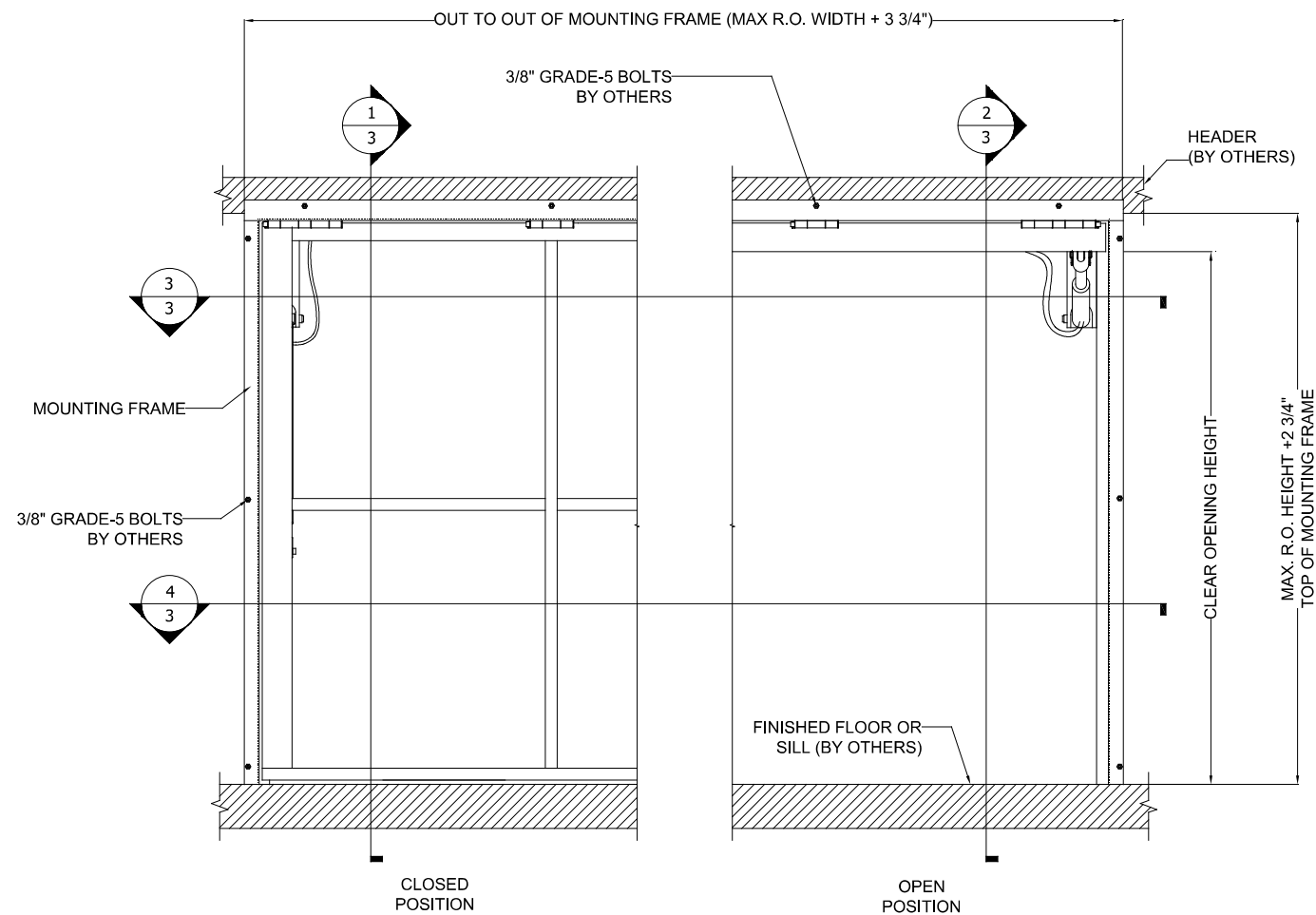
**IMPORTANT NOTICE:**

ALL DIMENSIONS SHOWN ARE CRITICAL TO PROPER DOOR OPERATION. IF ANY CHANGES ARE MADE, CONTACT CROWN IMMEDIATELY. ANY CHANGES MAY INCUR ADDITIONAL CHARGES.

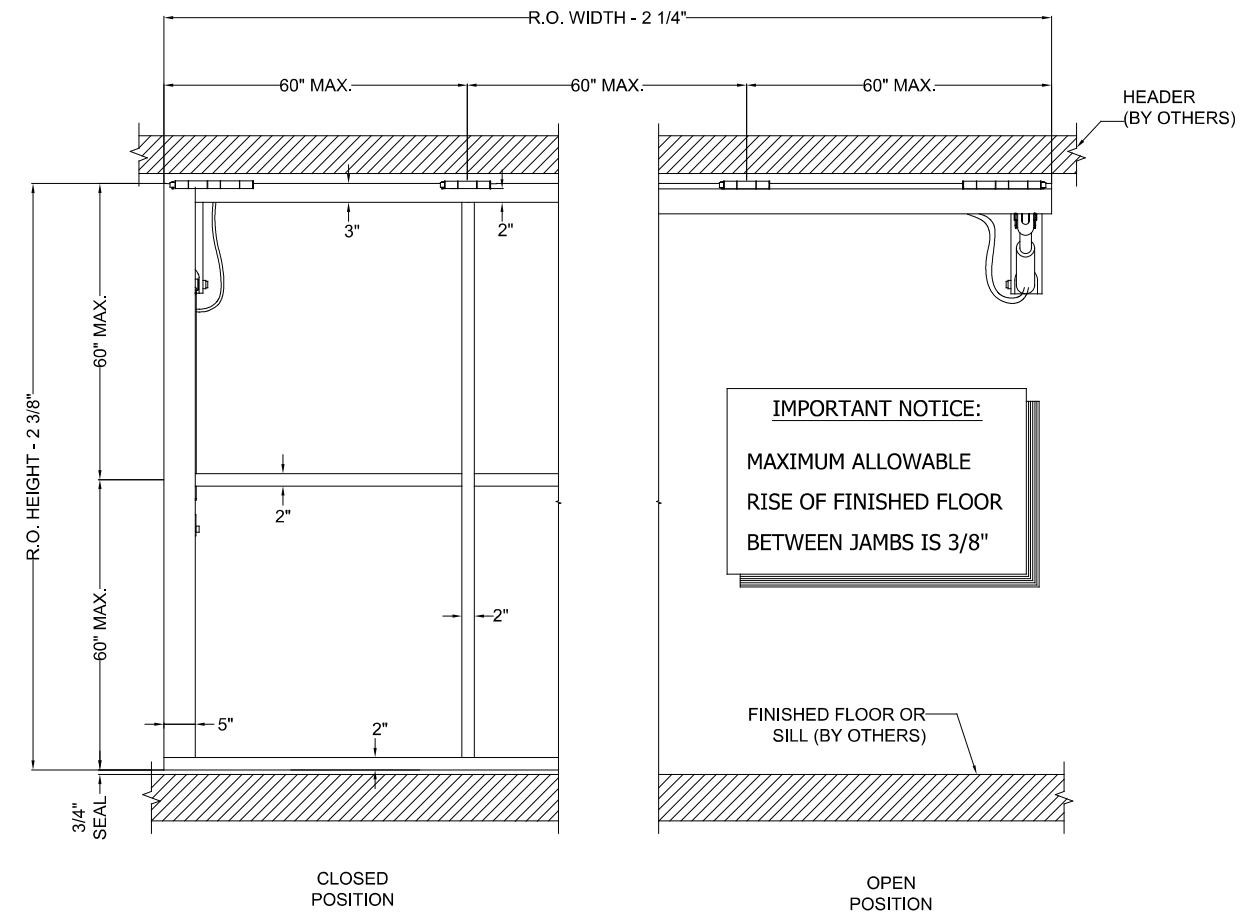
ALL PARTS NOT LISTED AS "BY OTHERS" TO BE PROVIDED BY CROWN.



**SAMPLE DRAWING**



**1 DOOR PANEL w/FRAME - EXTERIOR VIEW**  
NO SCALE



**2 DOOR PANEL - EXTERIOR VIEW**  
NO SCALE

**SINGLE-SWING HYDRAULIC SYSTEM**  
**CROWN DOORS, LLC**  
PLATO, MINNESOTA, 55370

**IMPORTANT NOTICE:**  
MAXIMUM ALLOWABLE RISE OF FINISHED FLOOR BETWEEN JAMBS IS 3/8"

MODEL: SS  
DRAWN: 5/2022

SHEET: **2.0**

**LATERAL DRIFT AND VERTICAL DEFLECTION:**

TO MAINTAIN NORMAL OPERATION OF THE DOOR/WINDOW SYSTEM, MID-HEADER DOWNWARD DEFLECTION LIMIT AND LATERAL DRIFT LIMIT OF SURROUNDING STRUCTURE IS 3/8". MAXIMUM ALLOWABLE RISE OF FINISHED FLOOR BETWEEN JAMBS IS 3/8".

**TOLERANCE:** TOLERANCE FOR LOCATION OF VERTICAL AND HORIZONTAL STEEL TUBE MEMBERS IS 1/8"

**IMPORTANT NOTE:** DO NOT PRE-DRILL ROUGH OPENING

**NOTES:**

APPROX. SYSTEM WEIGHT W/CYLINDERS:	6 LBS. P.S.F.
COVERING SYSTEM WEIGHT:	VARIES
APPROX. TOTAL DOOR PANEL WEIGHT w/COVERING:	TBD
STD. ELECTRICAL REQUIREMENTS:	220-240v, 1-PH
MOTOR:	TBD
POWER UNIT:	TBD
STD. WIND LOAD:	90 MPH EXP. C
APPROX. DOOR OPEN SPEED:	TYP. 14-15' PER MIN.
CYLINDER:	TBD
STD. FINISH:	GRAY ZINC, POWDER-BASED, EXPOXY PRIMER RAL POWDER FINISH COAT

**PROPRIETARY AND CONFIDENTIAL**

THE INFORMATION CONTAINED WITHIN THIS DRAWING SET IS THE SOLE PROPERTY OF CROWN DOORS, LLC (CROWN). ANY REPRODUCTION - IN PART, OR AS A WHOLE - WITHOUT THE EXPRESSED, WRITTEN CONSENT OF CROWN DOORS, LLC IS PROHIBITED

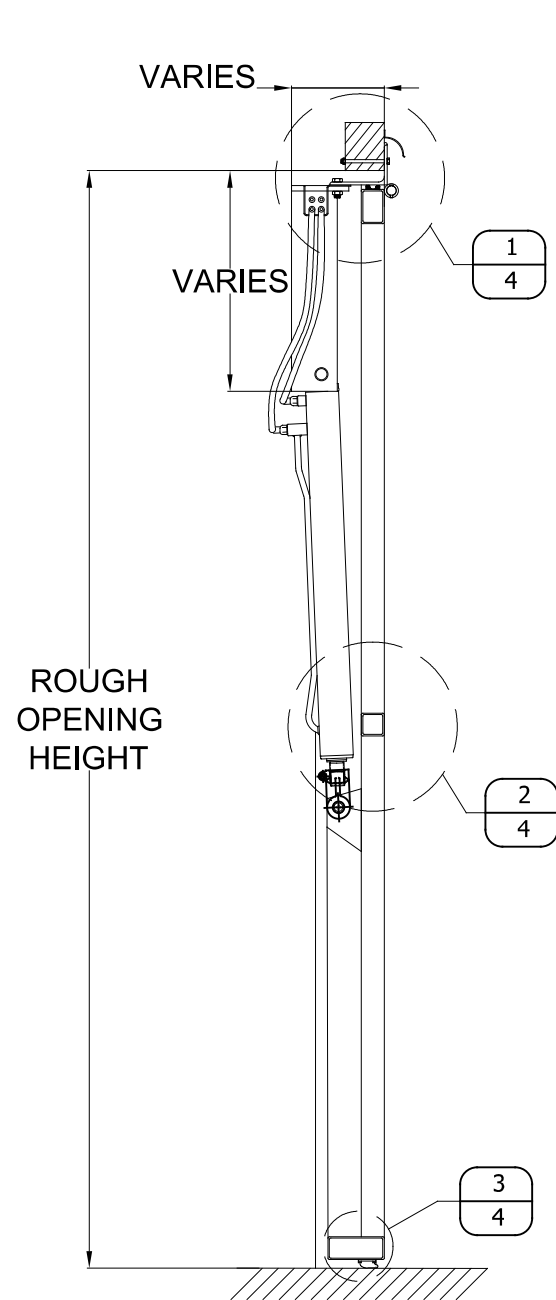
**IMPORTANT NOTICE:**

ALL DIMENSIONS SHOWN ARE CRITICAL TO PROPER DOOR OPERATION. IF ANY CHANGES ARE MADE, CONTACT CROWN IMMEDIATELY. ANY CHANGES MAY INCUR ADDITIONAL CHARGES.

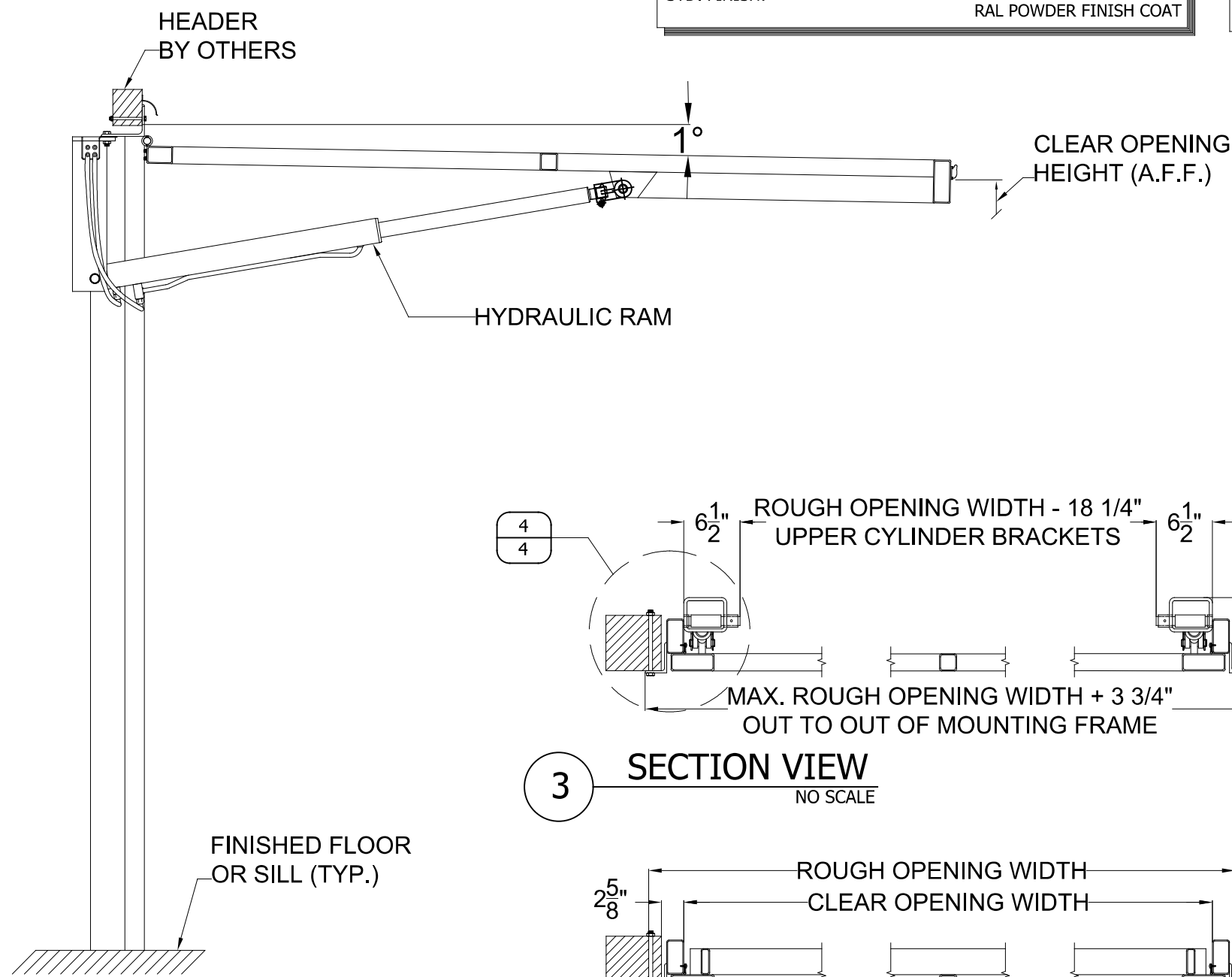
ALL PARTS NOT LISTED AS "BY OTHERS" TO BE PROVIDED BY CROWN.



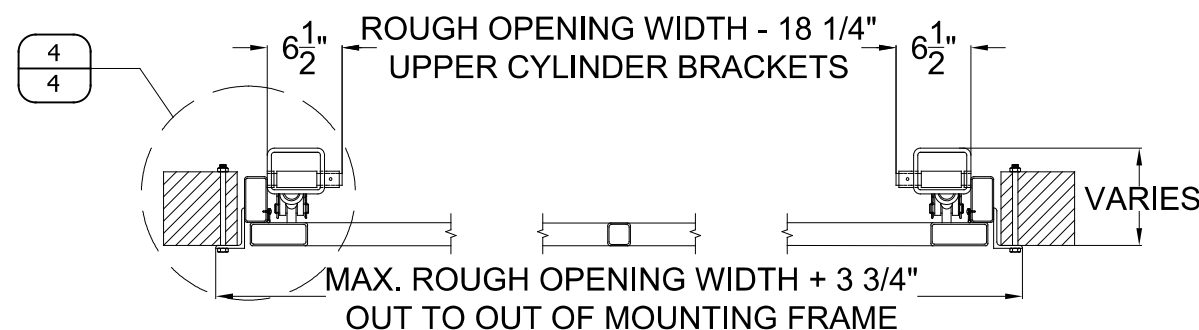
**SAMPLE DRAWING**



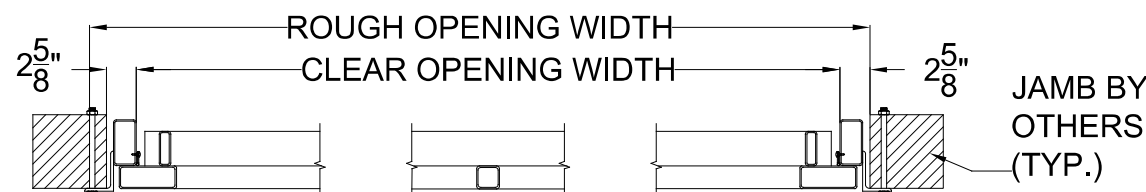
**1 VERTICAL SECTION**  
NO SCALE



**2 VERTICAL SECTION**  
NO SCALE



**3 SECTION VIEW**  
NO SCALE



**4 SECTION VIEW**  
NO SCALE

**SINGLE-SWING HYDRAULIC SYSTEM**  
**CROWN DOORS, LLC**  
PLATO, MINNESOTA, 55370

MODEL: SS  
DRAWN: 5/2022

SHEET: **3.0**

PROPRIETARY AND CONFIDENTIAL

THE INFORMATION CONTAINED WITHIN THIS DRAWING SET IS THE SOLE PROPERTY OF CROWN DOORS, LLC (CROWN). ANY REPRODUCTION - IN PART, OR AS A WHOLE - WITHOUT THE EXPRESSED, WRITTEN CONSENT OF CROWN DOORS, LLC IS PROHIBITED

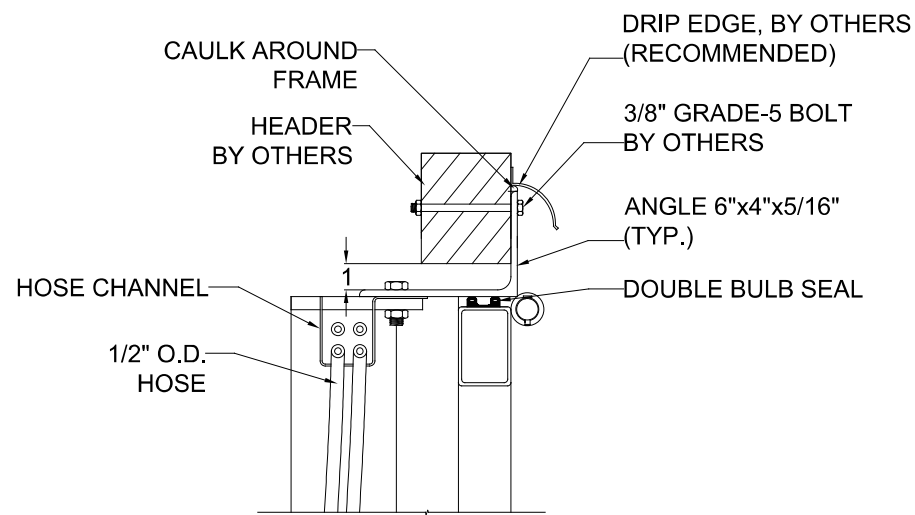


IMPORTANT NOTICE:

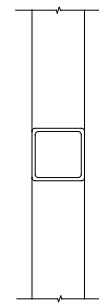
ALL DIMENSIONS SHOWN ARE CRITICAL TO PROPER DOOR OPERATION. IF ANY CHANGES ARE MADE, CONTACT CROWN IMMEDIATELY. ANY CHANGES MAY INCUR ADDITIONAL CHARGES.

ALL PARTS NOT LISTED AS "BY OTHERS" TO BE PROVIDED BY CROWN.

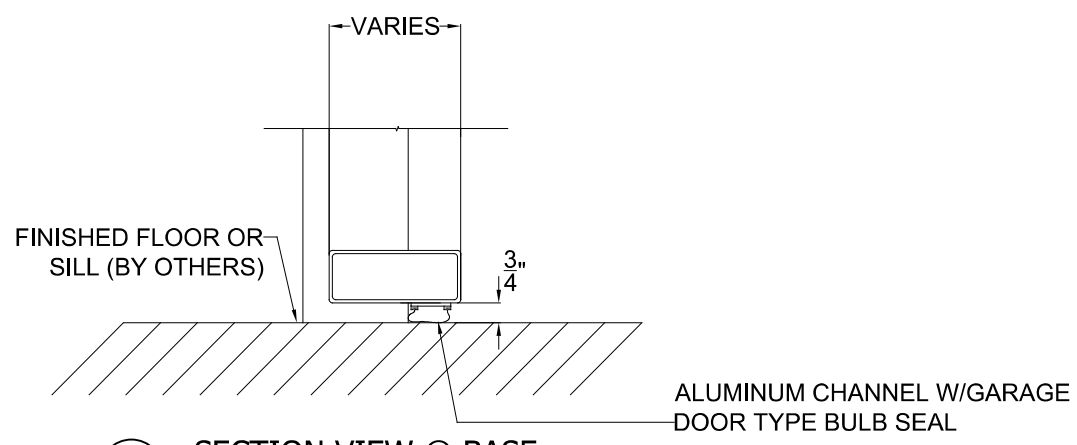
**SAMPLE DRAWING**



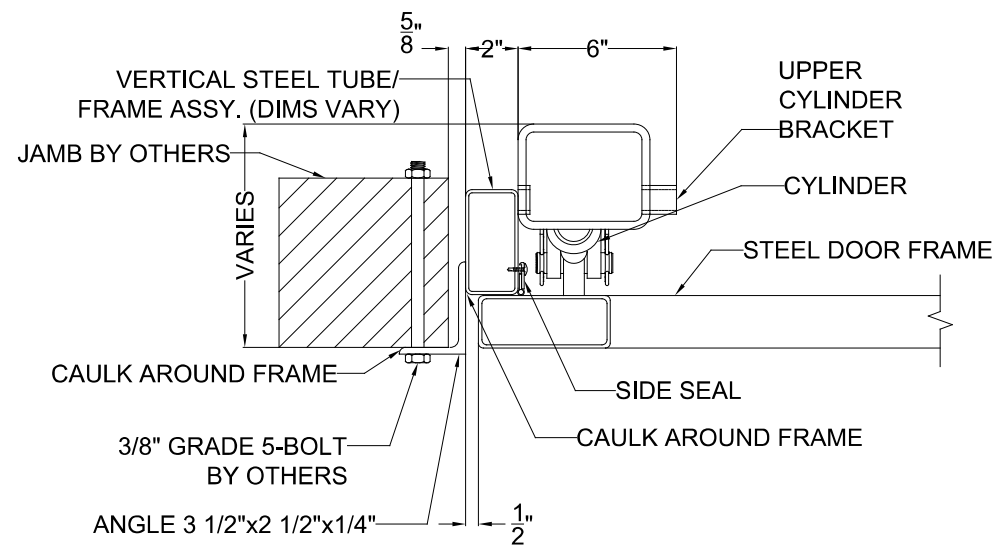
**1 SECTION VIEW @ HEAD**  
NO SCALE



**2 SECTION VIEW @ INT. HORIZONTAL**  
NO SCALE



**3 SECTION VIEW @ BASE**  
NO SCALE



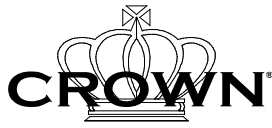
**4 SECTION VIEW @ JAMB**  
NO SCALE

**SINGLE-SWING HYDRAULIC SYSTEM**  
**CROWN DOORS, LLC**  
PLATO, MINNESOTA, 55370

MODEL: SS  
DRAWN: 5/2022

**MOTOR OPTIONS**  
 MOTOR UNIT IS FULLY ENCLOSED AND INCLUDES LOW-VOLTAGE CONTROL WIRING AND MANUAL LET-DOWN.

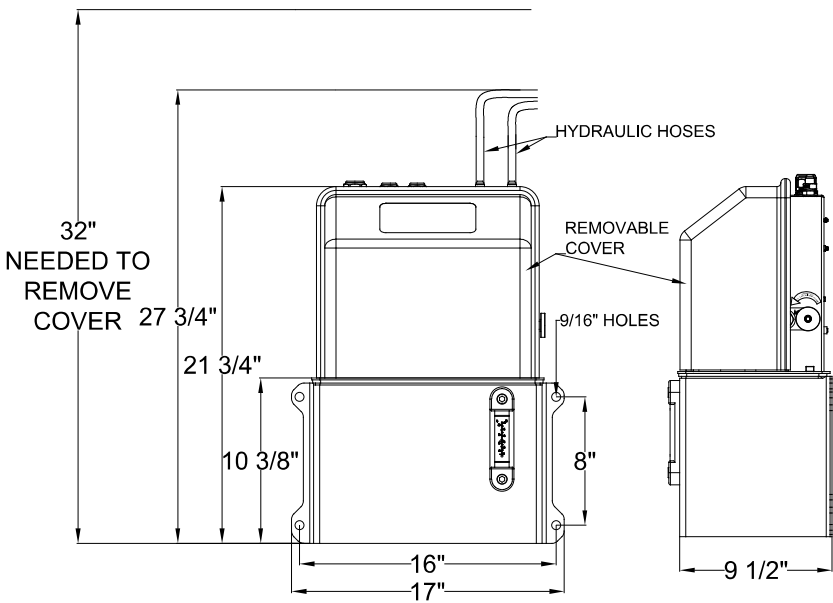
**PROPRIETARY AND CONFIDENTIAL**  
 THE INFORMATION CONTAINED WITHIN THIS DRAWING SET IS THE SOLE PROPERTY OF CROWN DOORS, LLC (CROWN). ANY REPRODUCTION - IN PART, OR AS A WHOLE - WITHOUT THE EXPRESSED, WRITTEN CONSENT OF CROWN DOORS, LLC IS PROHIBITED



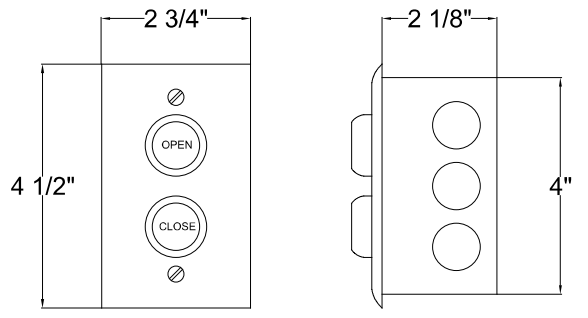
**IMPORTANT NOTICE:**  
 ALL DIMENSIONS SHOWN ARE CRITICAL TO PROPER DOOR OPERATION. IF ANY CHANGES ARE MADE, CONTACT CROWN IMMEDIATELY. ANY CHANGES MAY INCUR ADDITIONAL CHARGES.

ALL PARTS NOT LISTED AS "BY OTHERS" TO BE PROVIDED BY CROWN.

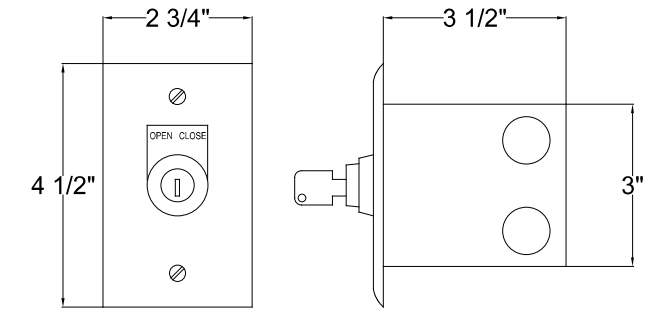
**SAMPLE DRAWING**



**1 MOTOR UNIT - ENCLOSED**  
 NO SCALE

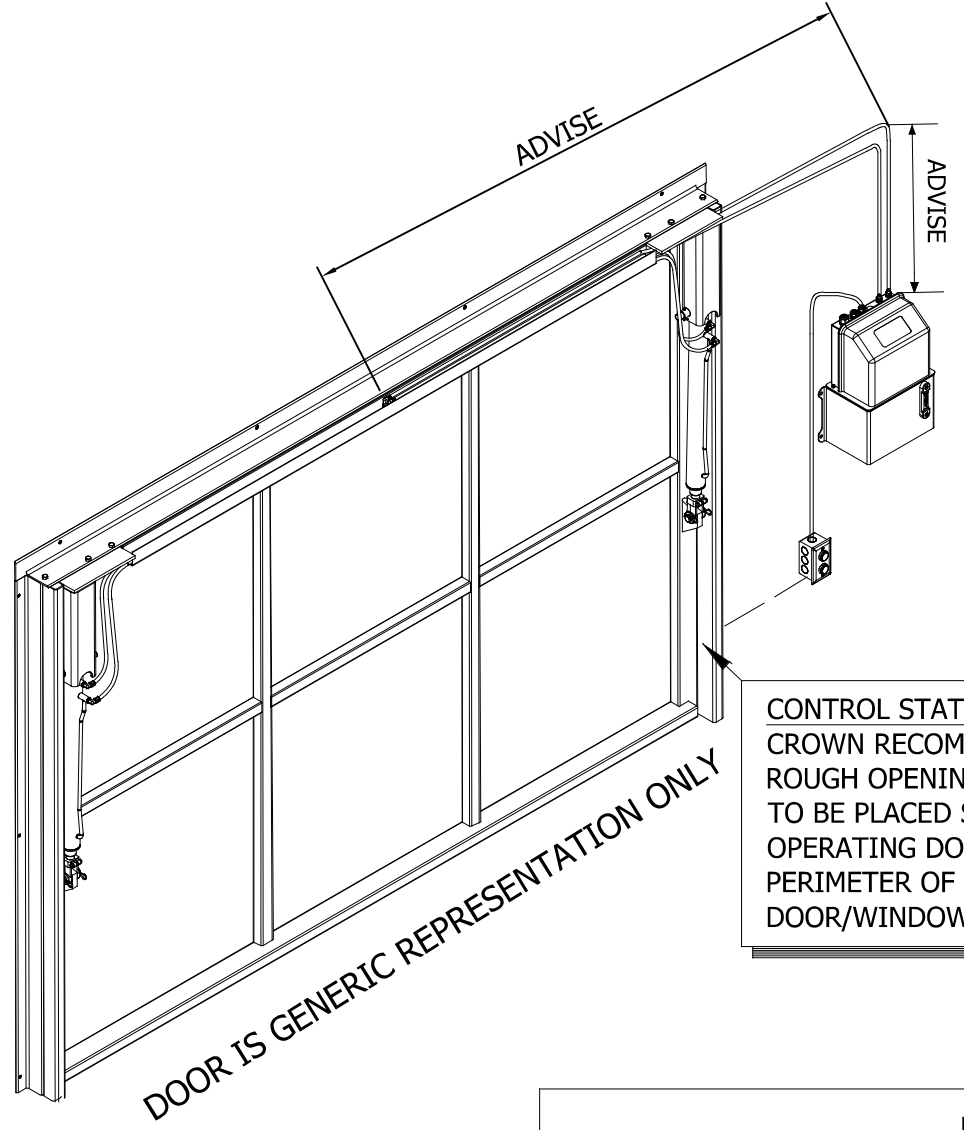


FLUSH-MOUNT, CONSTANT-CONTACT 2-BUTTON W/STAINLESS COVER (STANDARD)



FLUSH-MOUNT, CONSTANT-HOLD KEY SWITCH W/STAINLESS COVER (STANDARD)

**2 CONTROL OPTIONS**  
 NO SCALE



**CONTROL STATION PLACEMENT**  
 CROWN RECOMMENDS A MAX OF 24" FROM ROUGH OPENING. CONTROL STATION NEEDS TO BE PLACED SO THAT ANY PERSON OPERATING DOOR/WINDOW CAN SEE ENTIRE PERIMETER OF OPENING WHILE DOOR/WINDOW IS OPERATING.

**3 ISOMETRIC - INTERIOR VIEW**  
 NO SCALE

**DIMENSION REQUIRED:**  
 THE MOTOR/POWER UNIT(S) MAY BE LOCATED ANY DISTANCE FROM THEIR RESPECTIVE OPENINGS. EACH MOTOR AND OPENING WILL BE CONNECTED VIA (2) HYDRAULIC HOSES. PLEASE CONFIRM THE TOTAL LINEAL FOOT LENGTH OF HOSE REQUIRED TO REACH BETWEEN TOP/CENTER OF EACH OPENING AND ITS RESPECTIVE MOTOR MOUNT LOCATION, TAKING INTO ACCOUNT ANY TWISTS AND TURNS ALONG THE WAY. PLEASE NOTE A CHARGE FOR ADDITIONAL HOSE MAY APPLY.

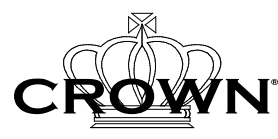
**SINGLE-SWING HYDRAULIC SYSTEM**  
**CROWN DOORS, LLC**  
 PLATO, MINNESOTA, 55370

MODEL: SS  
 DRAWN: 5/2022

SHEET: **5.0**

**PROPRIETARY AND CONFIDENTIAL**

THE INFORMATION CONTAINED WITHIN THIS DRAWING SET IS THE SOLE PROPERTY OF CROWN DOORS, LLC (CROWN). ANY REPRODUCTION - IN PART, OR AS A WHOLE - WITHOUT THE EXPRESSED, WRITTEN CONSENT OF CROWN DOORS, LLC IS PROHIBITED

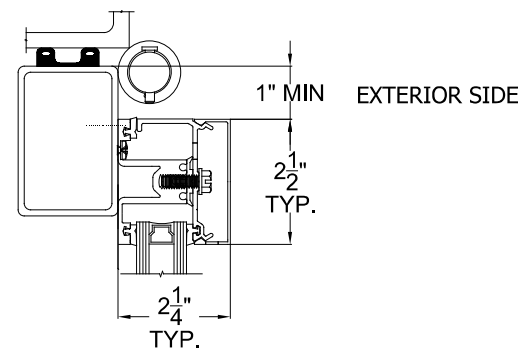


**SAMPLE DRAWING**

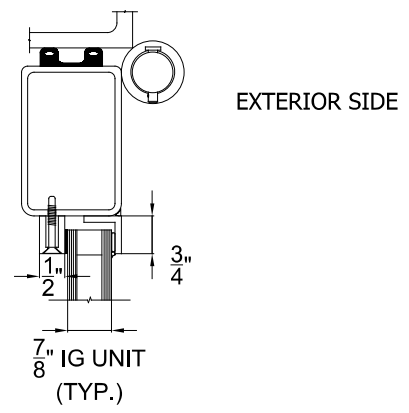
**IMPORTANT NOTICE:**

ALL DIMENSIONS SHOWN ARE CRITICAL TO PROPER DOOR OPERATION. IF ANY CHANGES ARE MADE, CONTACT CROWN IMMEDIATELY. ANY CHANGES MAY INCUR ADDITIONAL CHARGES.

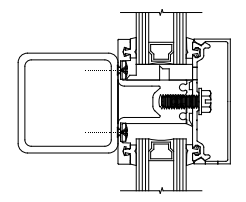
ALL PARTS NOT LISTED AS "BY OTHERS" TO BE PROVIDED BY CROWN.



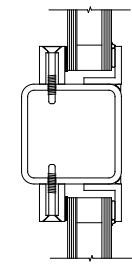
1 FRONT-SET ASSEMBLY  
NO SCALE



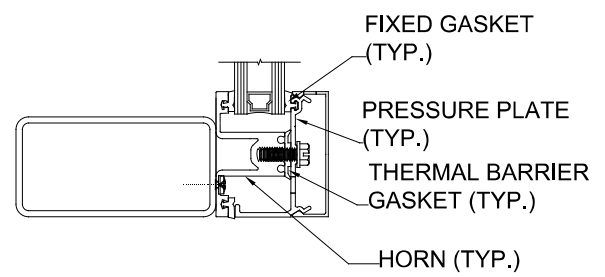
5 INSIDE SASH ASSEMBLY  
NO SCALE



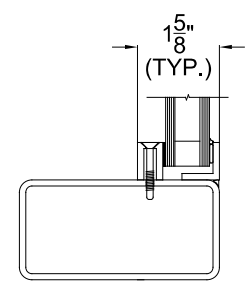
2 FRONT-SET ASSEMBLY  
NO SCALE



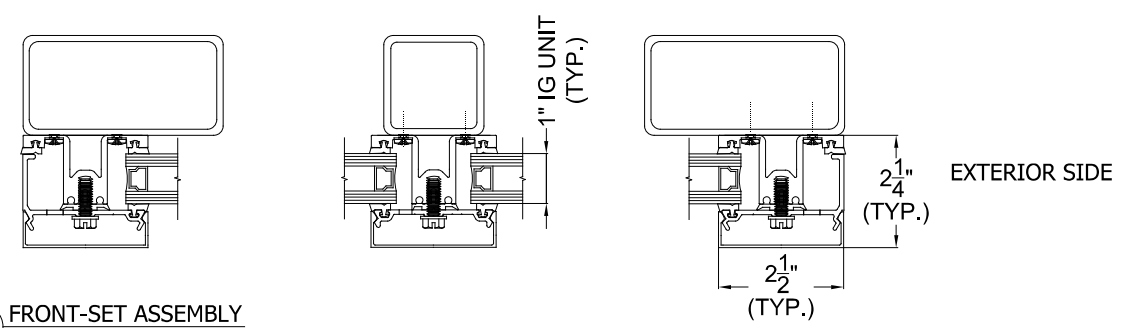
6 INSIDE SASH ASSEMBLY  
NO SCALE



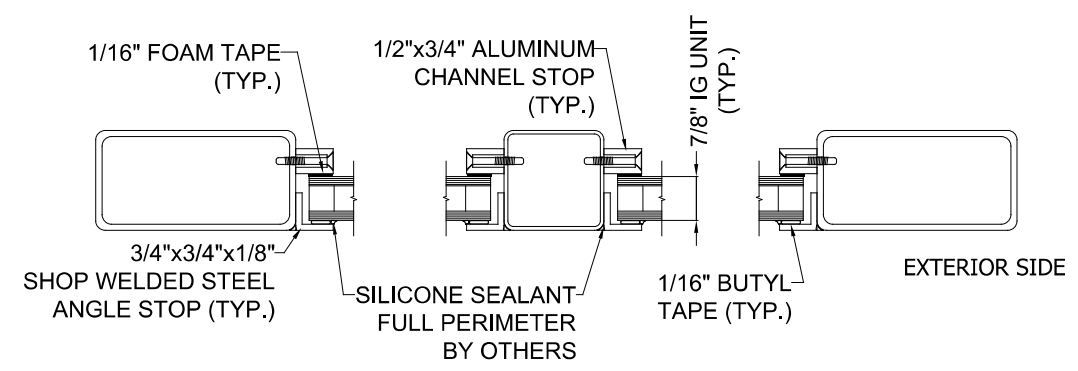
3 FRONT-SET ASSEMBLY  
NO SCALE



7 INSIDE SASH ASSEMBLY  
NO SCALE



4 FRONT-SET ASSEMBLY  
NO SCALE



8 INSIDE SASH ASSEMBLY  
NO SCALE

**SINGLE-SWING HYDRAULIC SYSTEM**  
**CROWN DOORS, LLC**  
PLATO, MINNESOTA, 55370

MODEL: SS  
DRAWN: 5/2022