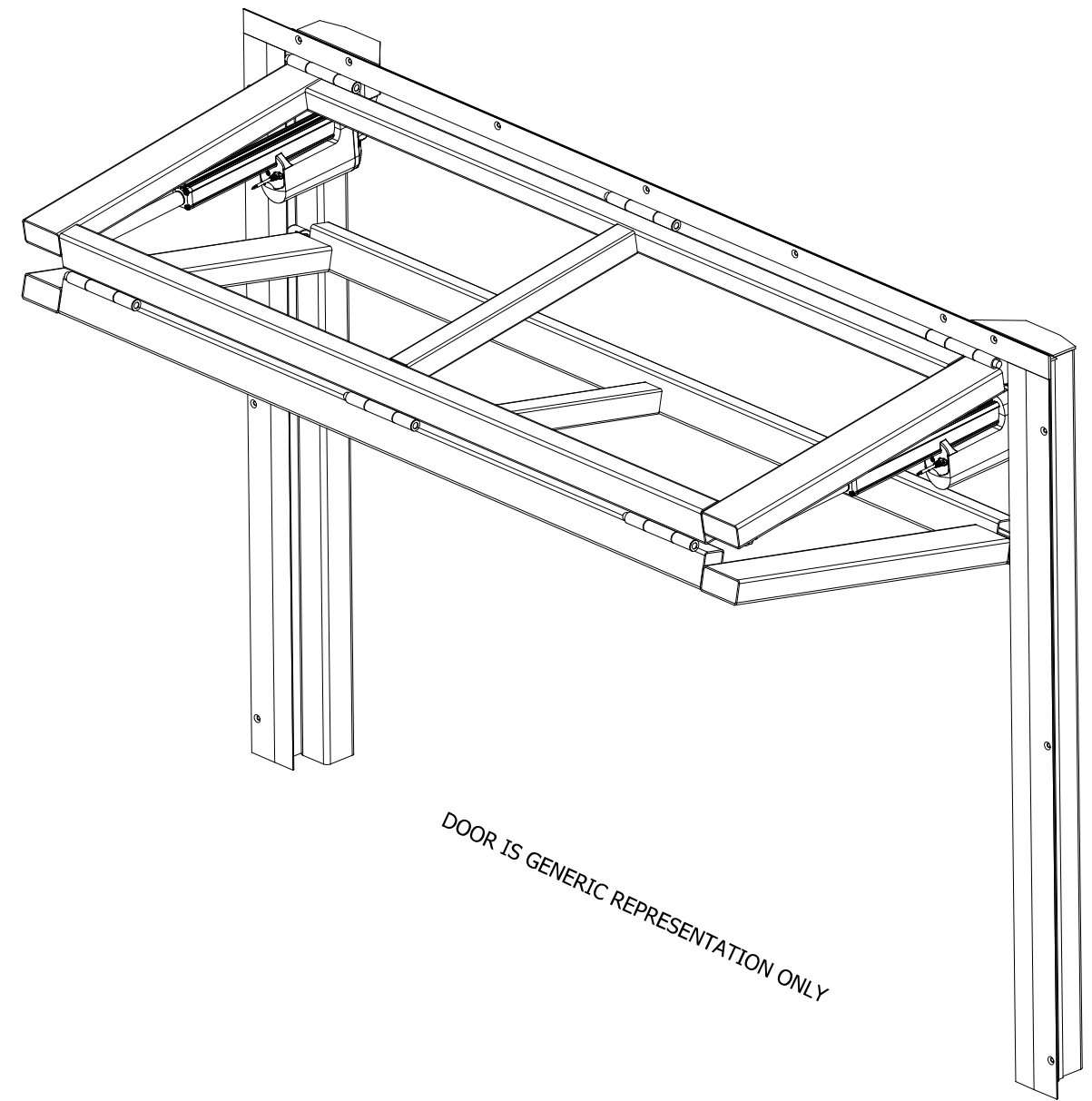


135 MCLEOD AVENUE, SOUTH  
 PLATO, MN 55370  
 (320) 238-2616  
 INFO@CROWNDOORS.COM



DOOR IS GENERIC REPRESENTATION ONLY

# SST-II BI-FOLD ELECTRICALLY- ACTUATED SYSTEM

**PRELIMINARY SAMPLE  
 DRAWING  
 NOT FOR CONSTRUCTION**

**PROPRIETARY AND CONFIDENTIAL**  
 THE INFORMATION CONTAINED WITHIN THIS DRAWING SET IS THE SOLE PROPERTY OF CROWN DOORS, LLC (CROWN). ANY REPRODUCTION - IN PART, OR AS A WHOLE - WITHOUT THE EXPRESSED, WRITTEN CONSENT OF CROWN DOORS, LLC IS PROHIBITED

**IMPORTANT NOTICE:**  
 ALL DIMENSIONS SHOWN ARE CRITICAL TO PROPER DOOR OPERATION. IF ANY CHANGES ARE MADE, CONTACT CROWN IMMEDIATELY. ANY CHANGES MAY INCUR ADDITIONAL CHARGES.

ALL PARTS NOT LISTED AS "BY OTHERS" TO BE PROVIDED BY CROWN.

**SAMPLE DRAWINGS**  
 • THE FOLLOWING DETAILS REPRESENT TYPICAL CONDITIONS. DETAILS/DIMENSIONS WILL VARY BETWEEN INSTALLATIONS.  
 • SAMPLe DRAWINGS DO NOT REPRESENT ALL AVAILABLE OPTIONS - REFER TO QUOTATION.

**GENERAL NOTES**  
 • STRUCTURAL SUPPORT (JAMBS/HEADER) BY G.C.  
 • INSTALLER TO CAULK AROUND MOUNTING ANGLES  
 • MAXIMUM ALLOWABLE RISE OF FINISHED FLOOR IS 1/4"  
 • CROWN RESERVES THE RIGHT TO CHANGE/ IMPROVE PRODUCTS WITHOUT PRIOR NOTICE  
 • THE INFORMATION CONTAINED WITHIN THIS DRAWING SET IS THE SOLE PROPERTY OF CROWN. ANY REPRODUCTION - IN PART, OR AS A WHOLE - WITHOUT THE EXPRESSED, WRITTEN PERMISSION OF CROWN IS PROHIBITED  
 • CROWN WILL NOT BE HELD RESPONSIBLE FOR CODE VIOLATIONS

**LATERAL DRIFT AND VERTICAL DEFLECTION:**

TO MAINTAIN NORMAL OPERATION OF THE DOOR/WINDOW SYSTEM, MID-HEADER DOWNWARD DEFLECTION LIMIT AND LATERAL DRIFT LIMIT OF SURROUNDING STRUCTURE IS 3/8". MAXIMUM ALLOWABLE RISE OF FINISHED FLOOR BETWEEN JAMBS IS 1/4".

**STEEL MEMBERS:**

STEEL TUBE FRAME MEMBERS VARY IN SIZE, DEPENDING UPON ROUGH OPENING DIMENSIONS AND COVERING/CLADDING WEIGHT. LARGER OPENINGS AND HEAVIER COVERING OR CLADDING WILL REQUIRE LARGER STEEL COMPONENTS.

**TOLERANCE:** TOLERANCE FOR LOCATION OF VERTICAL AND HORIZONTAL STEEL TUBE MEMBERS IS 1/8"

**IMPORTANT NOTE:** DO NOT PRE-DRILL ROUGH OPENING

**PROPRIETARY AND CONFIDENTIAL**

THE INFORMATION CONTAINED WITHIN THIS DRAWING SET IS THE SOLE PROPERTY OF CROWN DOORS, LLC (CROWN). ANY REPRODUCTION - IN PART, OR AS A WHOLE - WITHOUT THE EXPRESSED, WRITTEN CONSENT OF CROWN DOORS, LLC IS PROHIBITED

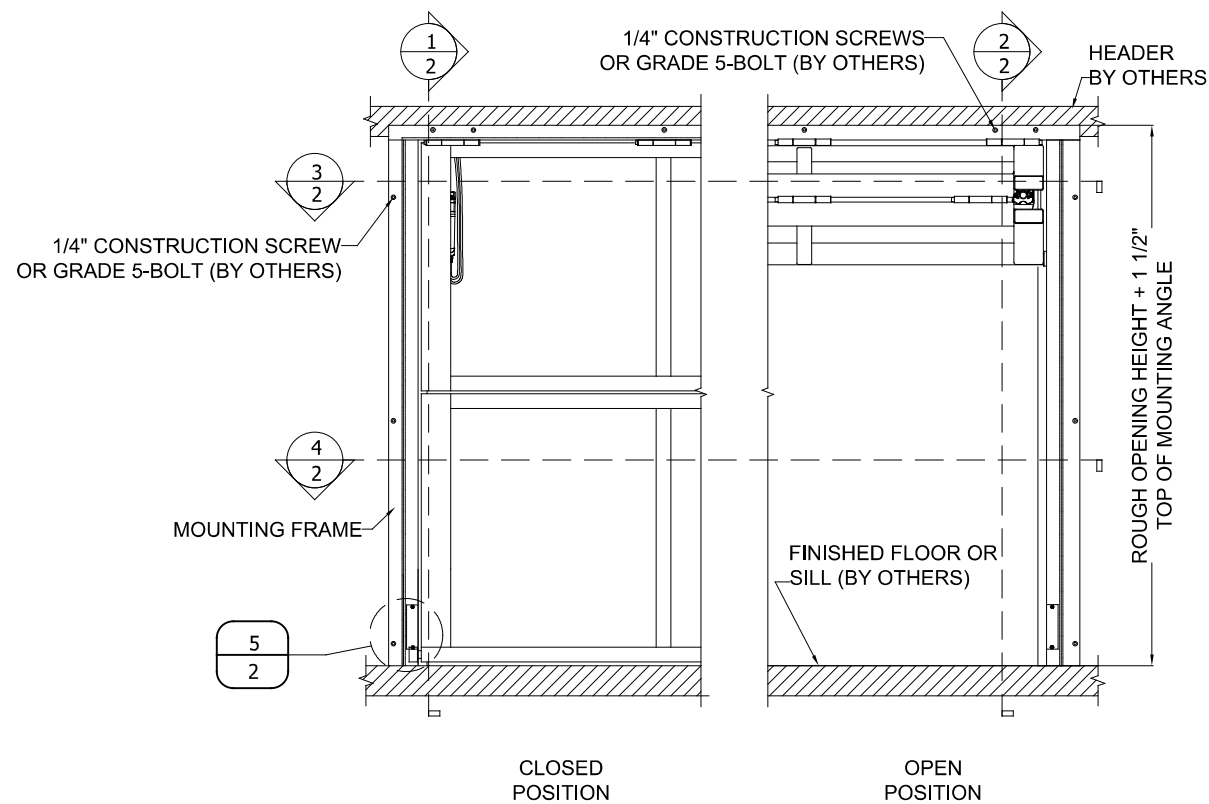
**IMPORTANT NOTICE:**

ALL DIMENSIONS SHOWN ARE CRITICAL TO PROPER DOOR OPERATION. IF ANY CHANGES ARE MADE, CONTACT CROWN IMMEDIATELY. ANY CHANGES MAY INCUR ADDITIONAL CHARGES.

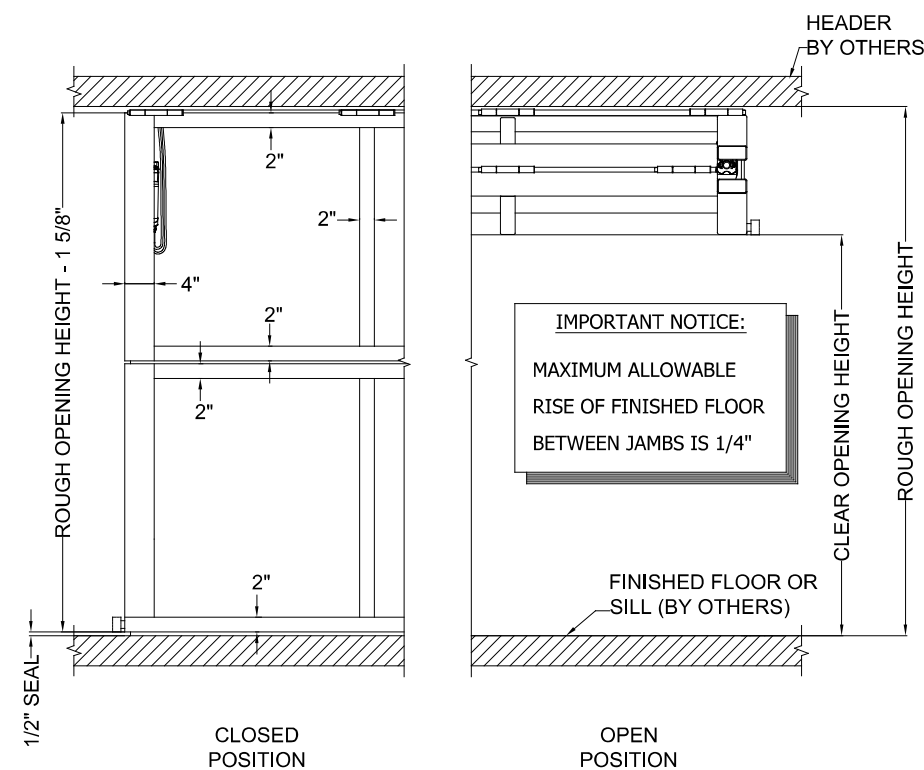
ALL PARTS NOT LISTED AS "BY OTHERS" TO BE PROVIDED BY CROWN.



**SAMPLE DRAWING**



**1 DOOR PANEL w/FRAME - EXTERIOR VIEW**  
NO SCALE



**2 DOOR PANEL - EXTERIOR VIEW**  
NO SCALE

**SST-II BI-FOLD ELECTRIC SYSTEM**  
**CROWN DOORS, LLC**  
PLATO, MINNESOTA, 55370

MODEL: BF-E  
DRAWN: 5/2022

SHEET: **2.0**

**LATERAL DRIFT AND VERTICAL DEFLECTION:**

TO MAINTAIN NORMAL OPERATION OF THE DOOR/WINDOW SYSTEM, MID-HEADER DOWNWARD DEFLECTION LIMIT AND LATERAL DRIFT LIMIT OF SURROUNDING STRUCTURE IS 3/8". MAXIMUM ALLOWABLE RISE OF FINISHED FLOOR BETWEEN JAMBS IS 3/8".

**TOLERANCE:** TOLERANCE FOR LOCATION OF VERTICAL AND HORIZONTAL STEEL TUBE MEMBERS IS 1/8"

**IMPORTANT NOTE:** DO NOT PRE-DRILL ROUGH OPENING

**NOTES:**

APPROX. SYSTEM WEIGHT W/CYLINDERS:	6 LBS. P.S.F.
COVERING SYSTEM WEIGHT:	VARIES
APPROX. TOTAL DOOR PANEL WEIGHT w/COVERING:	TBD
STD. ELECTRICAL REQUIREMENTS:	110-120v, 1-PH
STD. WIND LOAD:	90 MPH EXP. C
APPROX. DOOR OPEN SPEED:	TYP. 14-15' PER MIN.
CYLINDER:	TBD
STD. FINISH:	GRAY ZINC, POWDER-BASED, EXPOXY PRIMER RAL POWDER FINISH COAT

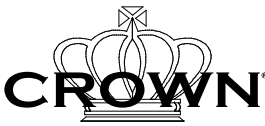
**PROPRIETARY AND CONFIDENTIAL**

THE INFORMATION CONTAINED WITHIN THIS DRAWING SET IS THE SOLE PROPERTY OF CROWN DOORS, LLC (CROWN). ANY REPRODUCTION - IN PART, OR AS A WHOLE - WITHOUT THE EXPRESSED, WRITTEN CONSENT OF CROWN DOORS, LLC IS PROHIBITED

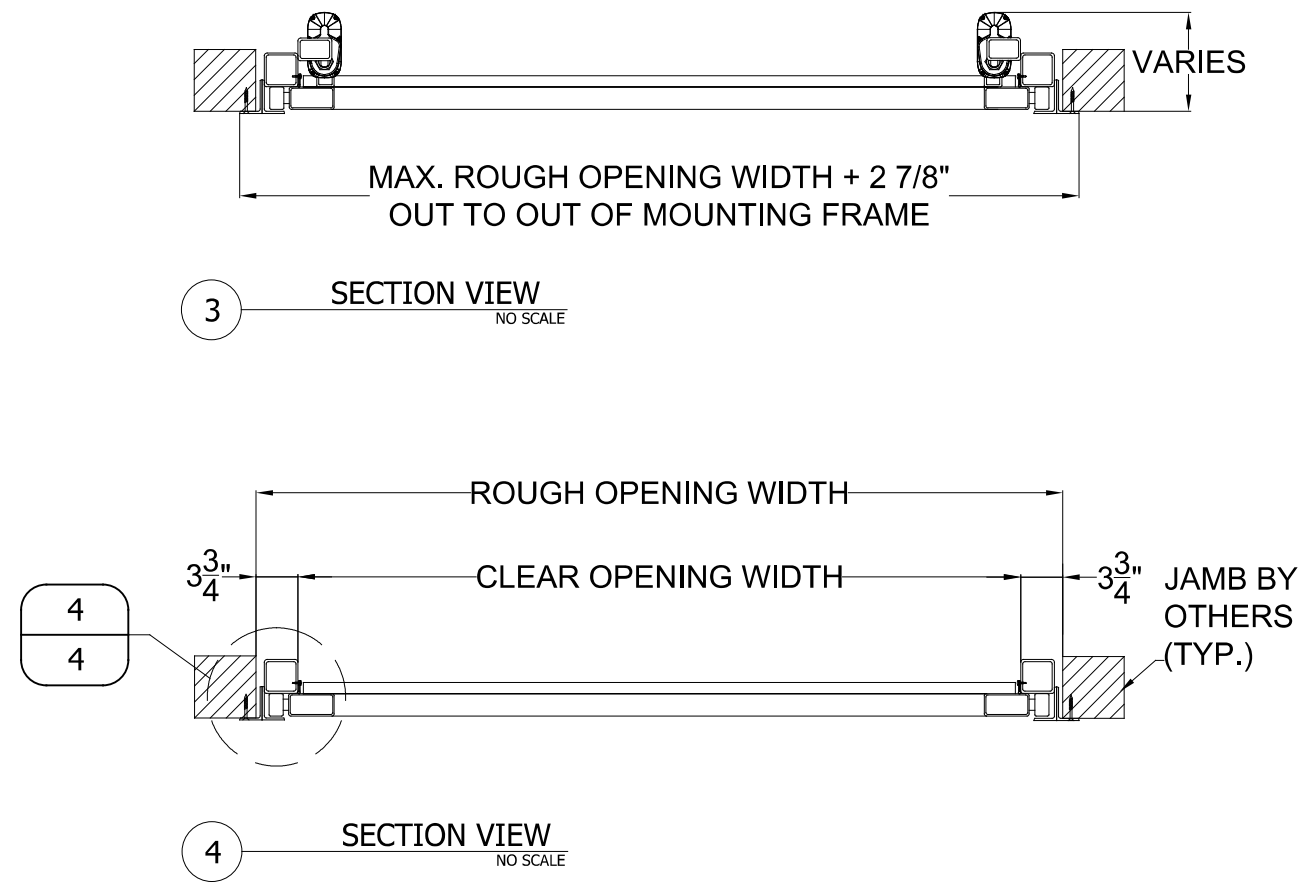
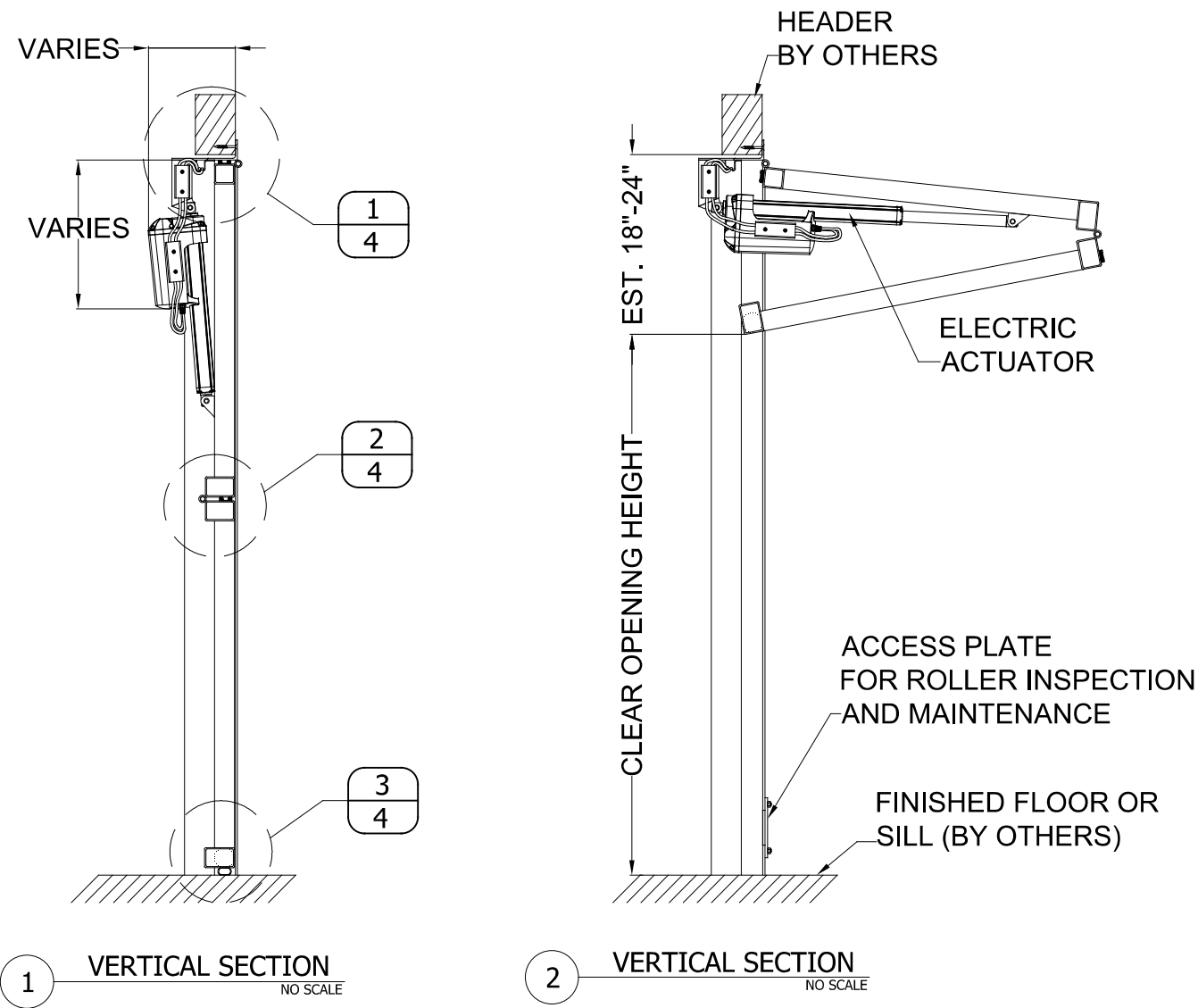
**IMPORTANT NOTICE:**

ALL DIMENSIONS SHOWN ARE CRITICAL TO PROPER DOOR OPERATION. IF ANY CHANGES ARE MADE, CONTACT CROWN IMMEDIATELY. ANY CHANGES MAY INCUR ADDITIONAL CHARGES.

ALL PARTS NOT LISTED AS "BY OTHERS" TO BE PROVIDED BY CROWN.



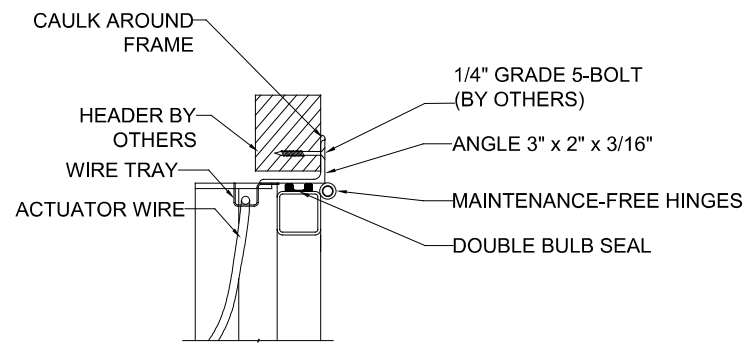
**SAMPLE DRAWING**



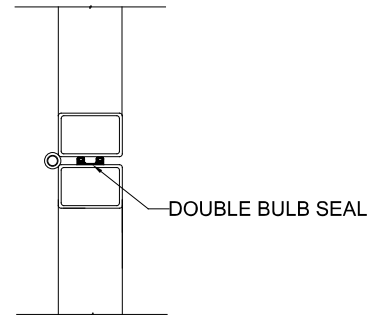
**SST-II BI-FOLD ELECTRIC SYSTEM**  
**CROWN DOORS, LLC**  
 PLATO, MINNESOTA, 55370

MODEL: BF-E  
 DRAWN: 5/2022

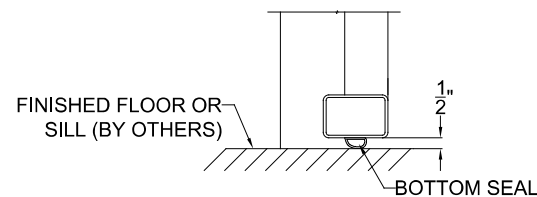
SHEET: **3.0**



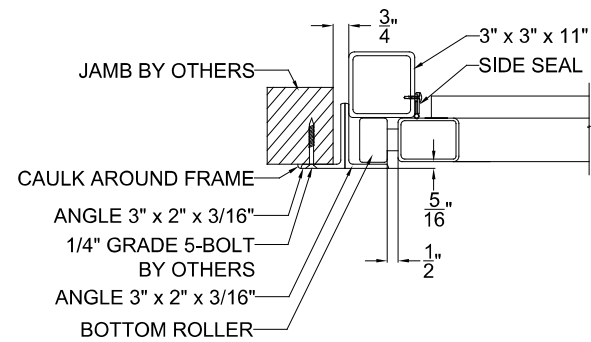
1 SECTION VIEW @ HEAD  
 NO SCALE



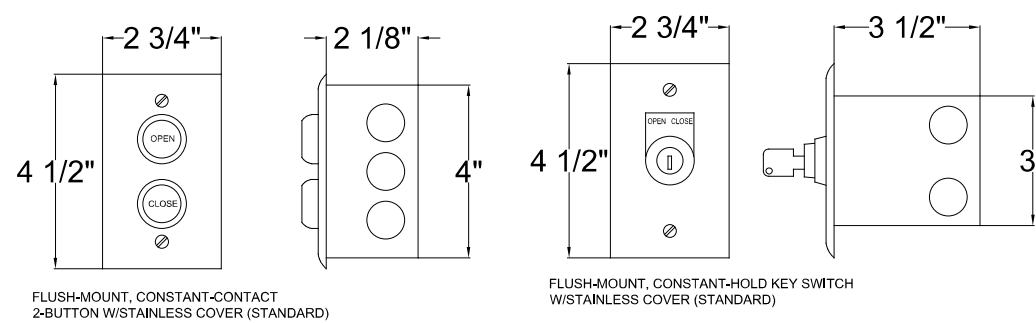
2 SECTION VIEW @ MID-HINGE  
 NO SCALE



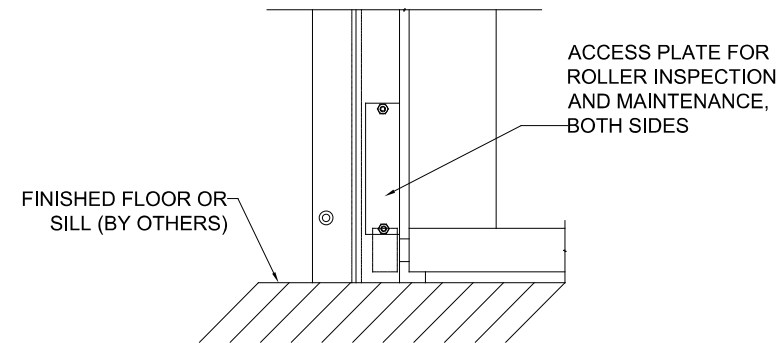
3 SECTION VIEW @ BASE  
 NO SCALE



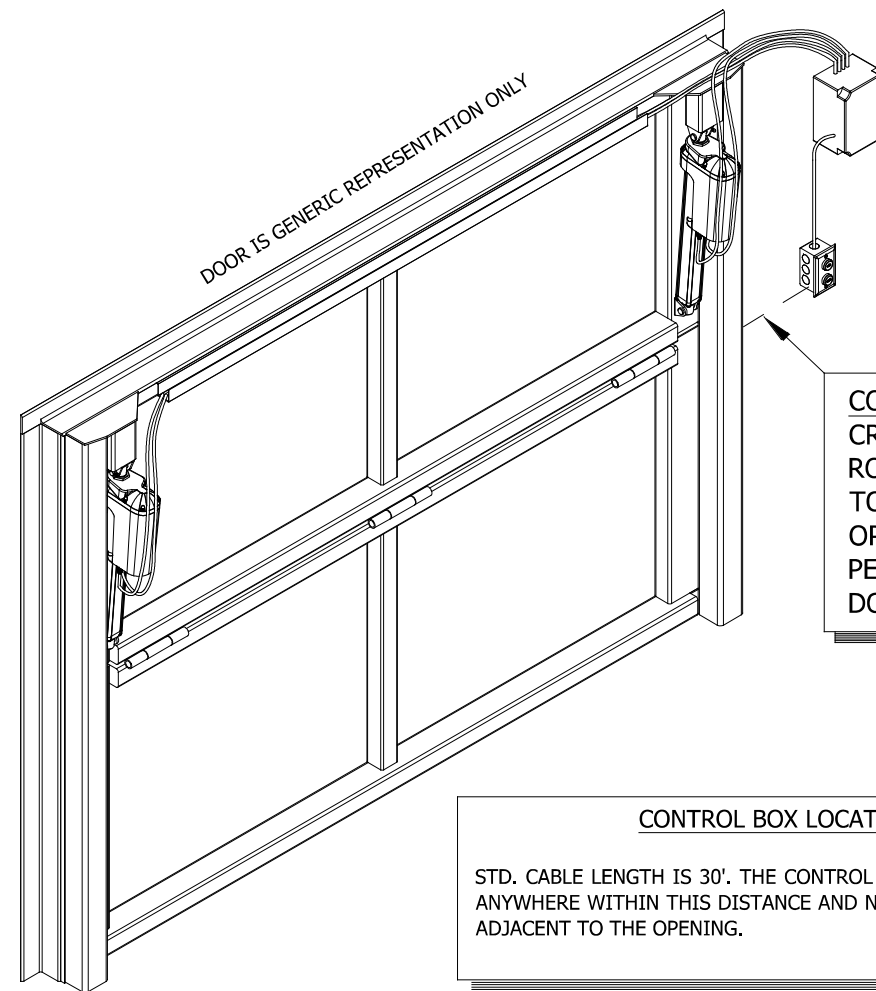
4 SECTION VIEW @ JAMB  
 NO SCALE



5 CONTROL OPTIONS  
 NO SCALE



6 MAINTENANCE HATCH  
 NO SCALE



**CONTROL STATION PLACEMENT**  
 CROWN RECOMMENDS A MAX OF 24" FROM ROUGH OPENING. CONTROL STATION NEEDS TO BE PLACED SO THAT ANY PERSON OPERATING DOOR/WINDOW CAN SEE ENTIRE PERIMETER OF OPENING WHILE DOOR/WINDOW IS OPERATING.

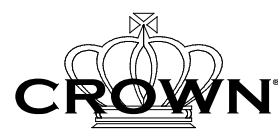
**CONTROL BOX LOCATION:**  
 STD. CABLE LENGTH IS 30'. THE CONTROL BOX MAY BE LOCATED ANYWHERE WITHIN THIS DISTANCE AND NEED NOT BE DIRECTLY ADJACENT TO THE OPENING.

7 SECTION VIEW @ BASE  
 NO SCALE

**PROPRIETARY AND CONFIDENTIAL**  
 THE INFORMATION CONTAINED WITHIN THIS DRAWING SET IS THE SOLE PROPERTY OF CROWN DOORS, LLC (CROWN). ANY REPRODUCTION - IN PART, OR AS A WHOLE - WITHOUT THE EXPRESSED, WRITTEN CONSENT OF CROWN DOORS, LLC IS PROHIBITED

**IMPORTANT NOTICE:**  
 ALL DIMENSIONS SHOWN ARE CRITICAL TO PROPER DOOR OPERATION. IF ANY CHANGES ARE MADE, CONTACT CROWN IMMEDIATELY. ANY CHANGES MAY INCUR ADDITIONAL CHARGES.

ALL PARTS NOT LISTED AS "BY OTHERS" TO BE PROVIDED BY CROWN.

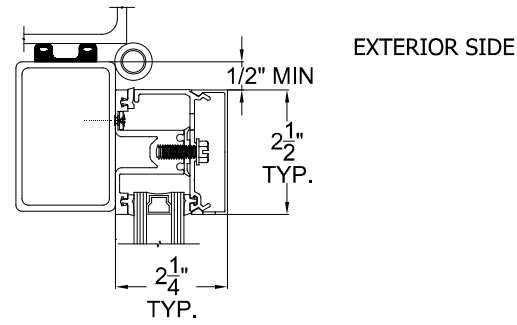


**SAMPLE DRAWING**

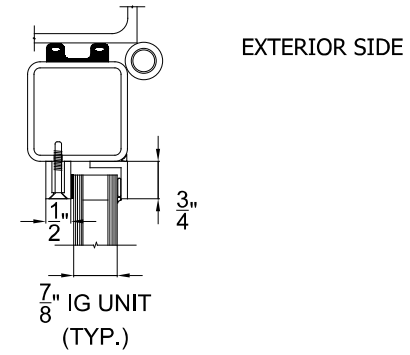
**SST-II BI-FOLD ELECTRIC SYSTEM**  
**CROWN DOORS, LLC**  
 PLATO, MINNESOTA, 55370

MODEL: BF-E  
 DRAWN: 5/2022

SHEET: **4.0**



1 FRONT-SET ASSEMBLY  
NO SCALE



6 INSIDE SASH ASSEMBLY  
NO SCALE

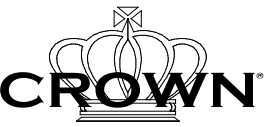
**PROPRIETARY AND CONFIDENTIAL**

THE INFORMATION CONTAINED WITHIN THIS DRAWING SET IS THE SOLE PROPERTY OF CROWN DOORS, LLC (CROWN). ANY REPRODUCTION - IN PART, OR AS A WHOLE - WITHOUT THE EXPRESSED, WRITTEN CONSENT OF CROWN DOORS, LLC IS PROHIBITED

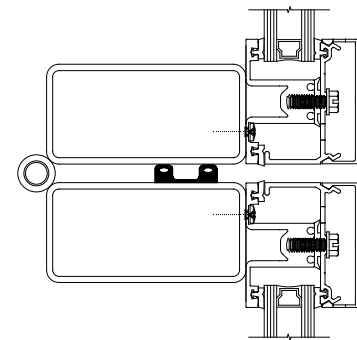
**IMPORTANT NOTICE:**

ALL DIMENSIONS SHOWN ARE CRITICAL TO PROPER DOOR OPERATION. IF ANY CHANGES ARE MADE, CONTACT CROWN IMMEDIATELY. ANY CHANGES MAY INCUR ADDITIONAL CHARGES.

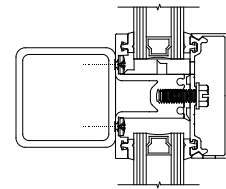
ALL PARTS NOT LISTED AS "BY OTHERS" TO BE PROVIDED BY CROWN.



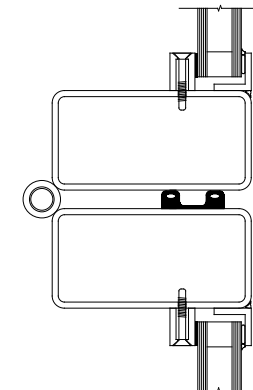
**SAMPLE DRAWING**



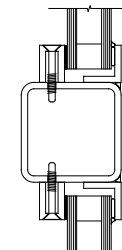
2 FRONT-SET ASSEMBLY  
NO SCALE



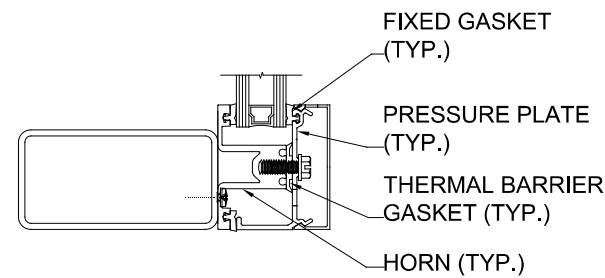
3 FRONT-SET ASSEMBLY  
NO SCALE



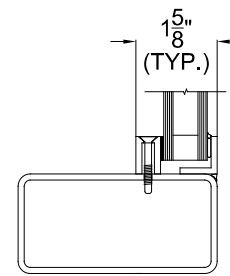
7 INSIDE SASH ASSEMBLY  
NO SCALE



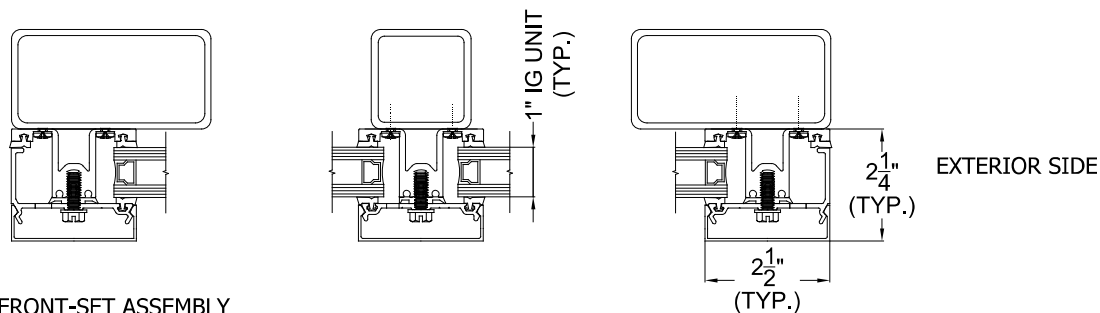
8 INSIDE SASH ASSEMBLY  
NO SCALE



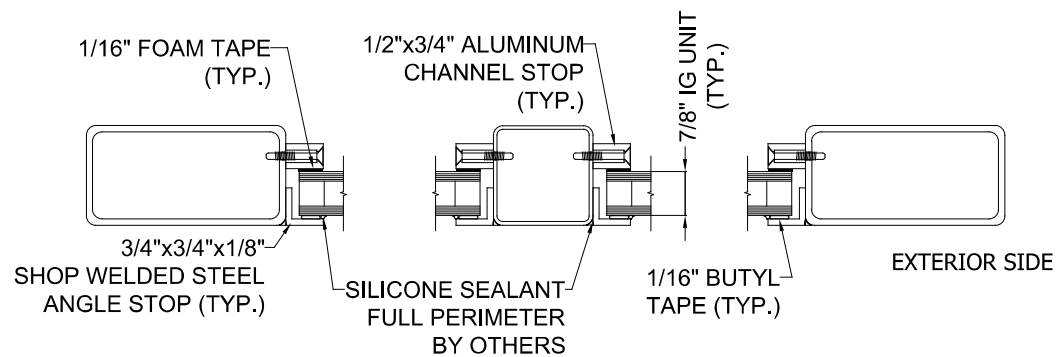
4 FRONT-SET ASSEMBLY  
NO SCALE



9 INSIDE SASH ASSEMBLY  
NO SCALE



5 FRONT-SET ASSEMBLY  
NO SCALE



10 INSIDE SASH ASSEMBLY  
NO SCALE

**SST-II BI-FOLD ELECTRIC SYSTEM**  
**CROWN DOORS, LLC**  
PLATO, MINNESOTA, 55370

MODEL: BF-E  
DRAWN: 5/2022

SHEET: **5.0**